

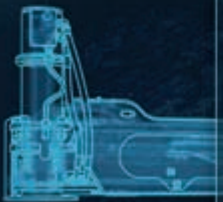
**LOADER CRANE**

# **MOUNTING ACCESSORIES**

**LIFETIME EXCELLENCE**



**ENGLISH | 2022 V01**



# OVERVIEW CONTENTS

## A - General

|                                 |         |
|---------------------------------|---------|
| PALFINGER Mounting Accessories  | 04 - 05 |
| PALFINGER Installation Packages | 06 - 09 |

## B - Hydraulics

|  |         |
|--|---------|
| Hydraulics - Calculation of the Hydraulic System | 10 - 11 |
| Load Sensing Pumps                               | 12 - 13 |
| Fixed Displacement Pumps Single Flow             | 14 - 15 |
| Fixed Displacement Pumps Double Flow             | 16 - 17 |
| Accessories for Pumps                            | 18 - 19 |
| Oil Tank   | 20 - 21 |
| Oil Cooler                                       | 22 - 23 |
| Stationary Hydraulic Aggregates                  | 24 - 25 |
| Hybrid Drive I Emergency Powerpack               | 26 - 27 |

## C - Stabilizers

|  |         |
|--|---------|
| Additional Stabilizers                               | 28 - 29 |
| Additional Stabilizers - Configuration Possibilities | 30 - 33 |
| Additional Stabilizers - Dimensions and Weight       | 34      |
| Control Valve  | 35      |
| Front Stabilizers & Frame Stabilizers                | 35      |
| Front Stabilizer Kits                                | 36 - 37 |
| Front Stabilizer Kits - Technical Data               | 38      |
| Stabilizer Pads and Transport Boxes                  | 39      |

## D - PC-Crane

|   |         |
|---|---------|
| Mounting Kit for 3.5 t Truck                                      | 40 - 41 |
| Stabilizers PC-Crane – Configuration Possibilities and Dimensions | 42 - 43 |
| Powerpacks for PC-Cranes  | 44 - 45 |

## E - Mounting Accessories

|                                |         |
|--------------------------------|---------|
| PALFINGER Customized Subframes | 46      |
| Subframe Specification         | 47      |
| PALFINGER Standard Subframes   | 48      |
| PALFINGER Customized Platforms | 49      |
| Mounting Bolts                 | 50 - 51 |
| Toolboxes                      | 52 - 53 |
| Mudguards                      | 54 - 55 |
| Rear Demountable Brackets      | 56      |
| Extension Couplings            | 57      |
| Lateral Protection Devices     | 58      |
| Accessories for High Stand     | 59      |
| Miscellaneous                  | 59      |
| Lighting Components            | 60      |

# PALFINGER MOUNTING ACCESSORIES

## A ONE-STOP SERVICE

At PALFINGER we want to ensure that our lifting solutions deliver their promised performance at the highest possible security level. Therefore the entire system consisting of crane, truck, subframe and hydraulic system is decisive.

For this reason, PALFINGER offers a broad spectrum of equipment in order to meet the usual high availability and serviceability as well as the well-known lifting performance.

A one-stop service means to us, that you can get everything you need for your mounting project from PALFINGER – fast, simple and perfectly matched.



High complexity and seasonal fluctuations are the core of any mounting business. In order to support our mounting partners in their day-to-day challenges, we want to offer them the support they require – from software tools for the project planning, to tested components, body kits and complete vehicles.

We are pleased to offer you the following services:

### INSTALLATION PACKAGES



Use PALFINGER as flexible as you require. We are happy to offer you a wide range of services like single components, assembly kits, raw installations or complete vehicles. For further information, see page 06-09.

### HYDRAULIC COMPONENTS



Pumps, tanks and oil coolers are perfectly matched to our products and have to pass strict tests to ensure longevity and cleanliness. This are the key parameters to avoid expensive consequential damages.

### STABILIZERS



PALFINGER is the only crane manufacturer that offers a complete range of additional stabilizers, complete front stabilizer kits for the most popular European truck manufacturers and universally applicable stabilizers.

### PC-CRANE ACCESSORIES



Innovative and fast complete solutions for our smallest cranes - from mounting kits to hydraulic aggregates. A one-stop service for the fast and efficient mounting on 3.5t vehicles.

### MOUNTING ACCESSORIES



From individual subframes over the proven additional stabilizers up to toolboxes - we invested a lot of time and money to offer you the perfect components in approved PALFINGER quality.

### SERVICE AND TECHNICAL SUPPORT



PALFINGER provides an extensive service network. The highly trained employees of our service partners and licensed workshops provide quick help whenever needed.

### SPARE PARTS SUPPLY



Several spare parts centres worldwide guarantee a seamless supply of spare parts. All original spare parts are tested and comply with the PALFINGER quality standard.

# INSTALLATION PACKAGES

## FLEXIBLE SUPPORT FOR YOUR PROJECT

Our target is to **support** our customers on an **individual basis** in case of capacity peaks, special projects, components that are not feasible to your production facilities.

We can assist with **products and services** along the entire value chain of your mounting project – of course in the **highest quality** and developed with most recent engineering methods.

### MOUNTING ACCESSORIES STANDARD

Our established top sellers ensure the best price performance ratio. From hydraulic components over additional stabilizers up to installation components. Everything you might need is available in our Mounting Accessories Catalogue.



### MOUNTING ACCESSORIES CUSTOMIZED

We know your daily challenges as a body builder and want to support you as best as possible. To save time and costs we are offering you our Customized Mounting Accessories like customized subframes or complete platform kits.



### RAW INSTALLATION

Ideal for capacity peaks from bodybuilders. PALFINGER delivers the crane inclusive mounting accessories fully installed. You can add the bodywork which suits you best.

- Crane ready to use
- HPSC pre-adjusted
- Agreed scope of supply (i.e interface for structure, electric and hydraulic comp.)



### CUSTOMIZED TURNKEY SOLUTIONS

Whatever your driver wants, PALFINGER will build a high quality solution for him and you in the Mounting Competence Center MCC

- Flexible support depending on your project
- Best performance for the crane
- Best Service Network and full documentation for the entire solution
- Experience with approx 1,000 installations over the last years



### CONFIGURED TURNKEY SOLUTIONS

PALFINGER delivers topseller-concepts for your needs. Defined together, we ensure you a simple offer and order process.

- Best price performance ratio due to scale effects
- One-Stop-Shop Principle
- Short leadtime
- Predefined option packages
- Once defined, no further engineering is needed



### STANDARD TURNKEY SOLUTIONS

PALFINGER offers ideally configured and installed trucks for your application. Our standard turnkey solutions are available on the sales platform [PALDRIVE.PALFINGER.COM](https://paldrive.palfinger.com)

- Best Crane Performance
- Stock vehicles shown on [paldrive.palfinger.com](https://paldrive.palfinger.com)
- One-Stop-Shop Principle



# INSTALLATION PACKAGES

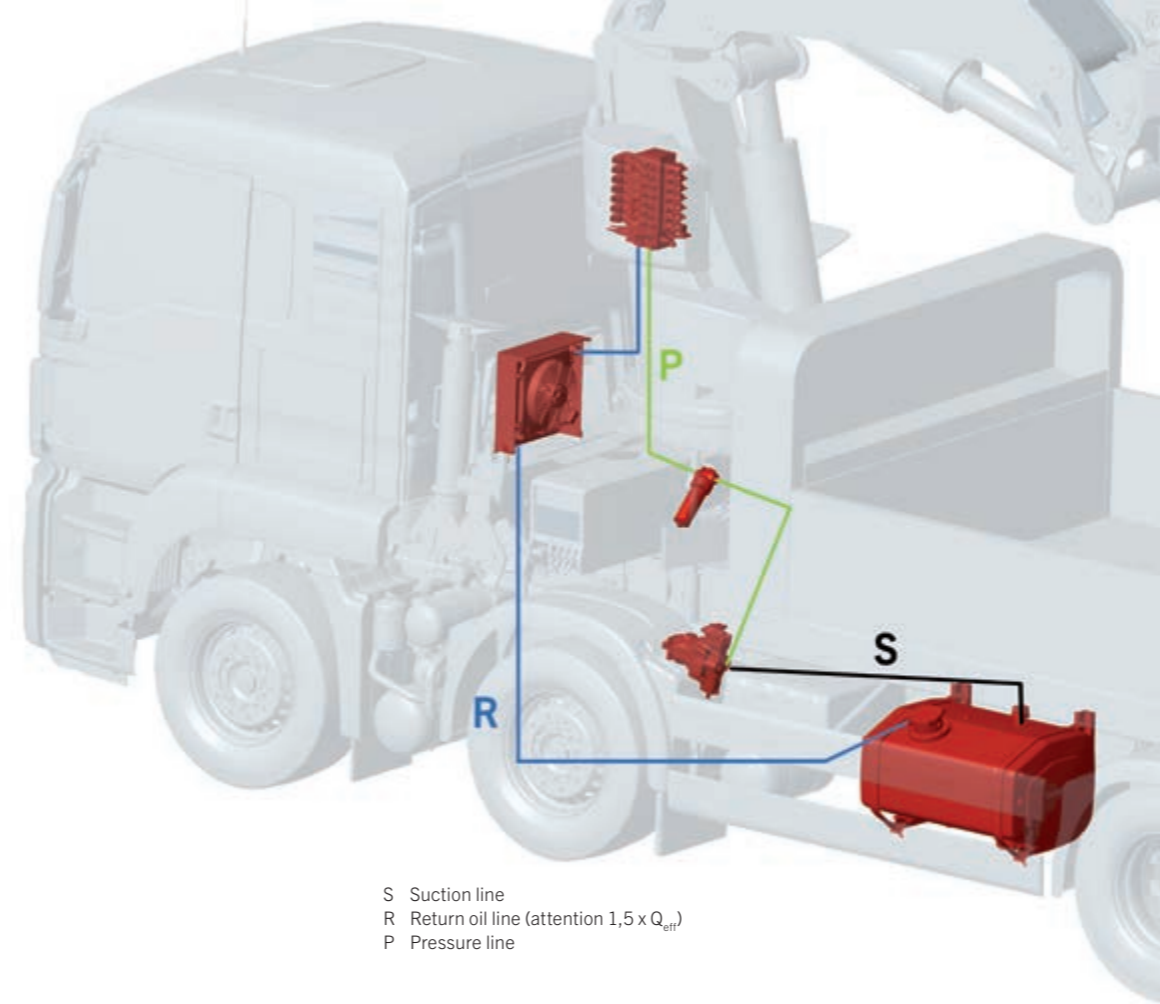
## FLEXIBLE SUPPORT FOR YOUR PROJECT



| INSTALLATION PACKAGE                         | MOUNTING ACCESSORIES STANDARD                                 | MOUNTING ACCESSORIES CUSTOMIZED  | RAW INSTALLATION                              | CUSTOMIZED TURNKEY SOLUTIONS                               | CONFIGURED TURNKEY SOLUTIONS                                   | STANDARD TURNKEY SOLUTIONS  |
|--|---|--|---|--|--|---|
| <b>We focus on</b>                           | Bodybuilder   | Bodybuilder  | Bodybuilder                                   | Driver/Fleet Manager/Purchaser/<br>PALFINGER Sales Network | PALFINGER Sales Network  | Driver/Fleet Manager/Purchaser  |
| <b>Engineering needed for each project</b>   | --  | Included   | Included                                      | Included   | --   | --  |
| <b>Hydraulic &amp; Electric parts</b>        | Loose on pallet   | Loose on pallet  | Included                                      | Included   | Included   | Included  |
| <b>Structural Parts &amp; Kits</b>           | Loose on pallet   | Loose on pallet  | Included                                      | Included   | Included   | Included  |
| <b>Mounting Accessories &amp; kits</b>       | Loose on pallet   | Loose on pallet  | Optional                                      | Included   | Included   | Included  |
| <b>Raw installation</b>                      | --  | --   | Included                                      | Included   | Included   | Included  |
| <b>HPSC Adjustment</b>                       | --  | --   | Included                                      | Included   | Included   | Included  |
| <b>Customization possibilities</b>           | --  | Yes  | Yes   | Included   | Defined Configurations   | No  |
| <b>Turnkey Solution (Truck ready to use)</b> | --  | --   | Crane ready to use                            | Yes  | Yes  | Yes   |
| <b>Truck purchasing through Palfinger</b>    | --  | --   | If desired                                    | If desired   | Included   | Included  |
| <b>Your advantage with our solutions ...</b> | Established product portfolio<br>Best Price Performance Ratio | Save time and costs by outsourcing parts of the installation (i.e. stabilizers, subframes, flatbed kit...) | Perfect for capacity peaks in your production | Whatever you wish – We can build it!                       | Perfect for your Topsellers<br>Easy offering to your customers | Trucks ready to work  |
| <b>How do I get it?</b>                      | Order via PALFINGER Product Configurator on PALDESK           | Please contact your local PALFINGER partner or the responsible Area Sales Manager.                         |   |  | Request via agreed order forms to General Agency / PALFINGER   | Available at <a href="http://paldrive.palfinger.com">paldrive.palfinger.com</a> |

# HYDRAULICS

PALFINGER offers a complete range of hydraulic components to drive the PALFINGER crane optimally. The hydraulic system is the heart of the PALFINGER unit and must meet the highest requirements. PALFINGER works exclusively with well-known and long-standing partners to ensure the highest quality requirements. The correct design of the hydraulic system is crucial for the functionality of the PALFINGER cranes. You can find detailed information on this in the PALFINGER installation guidelines.



S Suction line  
R Return oil line (attention 1,5 x Q<sub>eff</sub>)  
P Pressure line



## CONSTANT PUMPS SINGLE CIRCUIT

The constant pumps offer a simple and cost-effective drive variant. We offer a variety of bent axis and inline pumps, depending on the requirements.

## CONSTANT PUMP DOUBLE CIRCUIT

For a quick work with several functions, especially in wood and recycling crane use, we have a variety of suitable pump types available.

## LOAD SENSING PUMPS

Load sensing pumps help to operate the crane at its most efficient oil flow and potentially lower the operating costs. Highest quality and efficiency rate are standard at our PALFINGER load sensing pumps.

## BASIC DATA FOR CALCULATION

|   |                           |                      |  |
|---|---------------------------|----------------------|--|
| Minimum required oil flow                         | <b>Q<sub>min</sub></b>    | [l/min]              | For exact crane operation  |
| Maximum required oil flow                         | <b>Q<sub>max</sub></b>    | [l/min]              | For fast crane operation   |
| Required operating pressure                       | <b>P<sub>max</sub></b>    | [MPa]                | According to crane requirements  |
| Chosen oil flow                                   | <b>Q<sub>crane</sub></b>  | [l/min]              | Between minimum and maximum required oil flow (Q <sub>min</sub> ≤ Q <sub>crane</sub> ≤ Q <sub>max</sub> ); techn. Data sheet crane |
| Speed (rpm) on the motor                          | <b>n<sub>en</sub></b>     | [min <sup>-1</sup> ] | Data sheets of the vehicle to be set in motor management   |
| Ratio of gear box                                 | <b>i<sub>ge</sub></b>     |                      | Data sheet of the vehicle. <b>ATTENTION!</b> Always use the quick split  |
| Ratio of PTO                                      | <b>i<sub>pto</sub></b>    |                      | Data sheet of the PTO. <b>ATTENTION!</b> Always use the quick split  |
| Allowed torque at PTO                             | <b>M<sub>tmax</sub></b>   | [Nm]                 | Data sheet of the PTO  |
| Allowed power at PTO                              | <b>P<sub>max</sub></b>    | [kW]                 | Data sheet of the PTO  |
| Efficiency rate pump                              | <b>η<sub>pump</sub></b>   |                      | 0,9 for constant pump / 0,95 for variable pump   |
| Oil flow of chosen pump (1000 rpm)                | <b>Q<sub>pump</sub></b>   | [l/min]              | Mounting Accessories Catalogue   |
| Maximum pump speed (rpm)                          | <b>n<sub>pmax</sub></b>   | [min <sup>-1</sup> ] | Mounting Accessories Catalogue   |
| Difference volume crane + Fly Jib                 | <b>ΔV<sub>crane</sub></b> | [l]                  | PALDESK or PAC Online  |
| Difference volume additional and front stabilizer | <b>ΔV<sub>stab</sub></b>  | [l]                  | PALDESK or PAC Online  |
| Difference volume crane equipment                 | <b>ΔV<sub>equ</sub></b>   | [l]                  | PALDESK or PAC Online  |

## CALCULATION OF HYDRAULIC PUMP

|                               |                         |                      |  |
|-------------------------------|-------------------------|----------------------|--|
| Speed on the pump (rpm)       | <b>n<sub>pump</sub></b> | [min <sup>-1</sup> ] | $n_{pump} = n_{en} * i_{ge} * i_{pto} \leq n_{pmax}$                           |
| Required pump size (1000 rpm) | <b>Q<sub>req</sub></b>  | [l/min]              | $Q_{req} = (Q_{crane} * 1000) / (n_{pump} * \eta_{pump})$                      |
| Effective oil flow            | <b>Q<sub>eff</sub></b>  | [l/min]              | $Q_{eff} = Q_{pump} * \eta_{pump} * \eta_{pto}$                                |
| Torque - PTO                  | <b>M<sub>req</sub></b>  | [Nm]                 | $M_{req} = (Q_{eff} * p_{max} * 159) / (n_{pump} * \eta_{pump}) \leq M_{tmax}$ |
| Power on PTO                  | <b>P<sub>req</sub></b>  | [kW]                 | $P_{req} = (Q_{eff} * p_{crane}) / (60 * \eta_{pump}) \leq P_{max}$            |

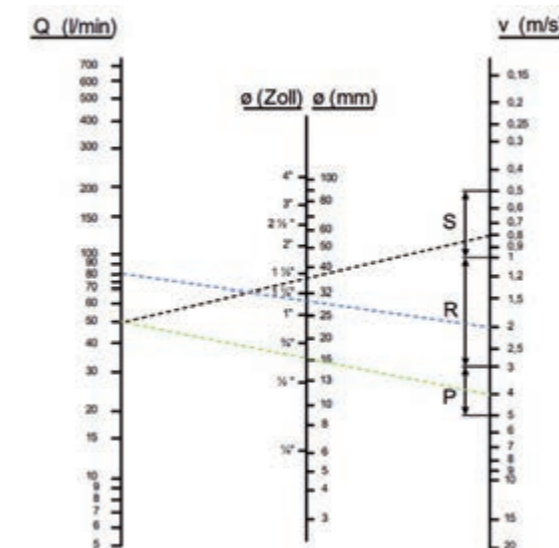
## CALCULATION OF OIL COOLER

|                              |                         |      |  |
|------------------------------|-------------------------|------|--|
| Required oil cooler capacity | <b>P<sub>cool</sub></b> | [kW] | $P_{cool} = P_{req} * 0,15 \text{ to } 0,25$<br><b>ATTENTION!</b> Factor depends on the application - check the installation guideline |
|------------------------------|-------------------------|------|--|

## CALCULATION OF OIL TANK

|  |                         |     |   |
|--|-------------------------|-----|---|
| Required minimum oil tank size - crane mounted | <b>V<sub>tank</sub></b> | [l] | $V_{tank} \geq Q_{eff} * 0,7 + \Delta V_{crane} + \Delta V_{stab} + \Delta V_{equ}$ |
| Required minimum oil tank size - side mounted  | <b>V<sub>tank</sub></b> | [l] | $V_{tank} \geq Q_{eff} * 1,2 + \Delta V_{crane} + \Delta V_{stab} + \Delta V_{equ}$ |

## REQUIRED PIPE CONNECTION



## TIPS

- Position of the oil tank as high as possible
- Keep the suction line as short as possible
- Fill only filtered oil into the PALFINGER oil tank
- All values are basic assumptions and only valid, if the crane is mounted according to PALFINGER installation guideline

## ATTENTION

The calculation of the oil tank volume is only permitted for flow-optimized PALFINGER oil tanks and when using an adequately designed oil cooler. This calculation must be adjusted due to factors such as high ambient temperatures during long work cycles. Please note the PALFINGER installation guidelines.

## BEST PRICE DEAL - LOAD SENSING PUMPS

|   |  |
|---|--|
| <ul style="list-style-type: none"> <li>• Fuel savings due to tests between 6% and 22%</li> <li>• Fine control of the crane</li> <li>• Reduced noise and noise pollution and CO2 emission</li> </ul> | <b>CALCULATE FOR YOURSELF!</b>                                 |
|   | <input type="text"/> % fuel saving (6% - 22%)                  |
|   | <input type="text"/> X Fuel consumption during crane operation |
|   | <input type="text"/> X crane hours / year                      |
|   | <input type="text"/> X fuel price / l                          |
|   | =  |
|   | <b>SAVING PER YEAR</b>   |

# LOAD SENSING PUMPS

Load sensing pumps help to operate the crane at its most efficient oil flow and potentially lower the operating costs. Highest product quality and energy efficiency characterize our products.

- All load sensing pumps are designed for an operating pressure up to 400 bar
- PALFINGER warranty & service
- Every pump is delivered in a package with a suitable suction connection
- The collaboration with established manufacturers ensure longstanding durability of the PALFINGER product



- Highest performance efficiency
- Long-lasting bent axis design
- Low noise emission due to bent axis design
- By means of the adjusting screw the maximum displacement volume can be adjusted



- Compact design allows the installation on most vehicles
- Excellent price-performance-ratio
- 130l and 150l with exchangeable rotation direction (\*)
- Huge variety of different flow rates available
- By means of the adjusting screw the maximum displacement volume can be adjusted



- Compact design allows the installation on most vehicles
- High hydraulic efficiency
- Excellent reliability
- Compact and lightweight
- All INLINE load sensing pumps are on request available with power limitation or drive trough shaft

|             | Displacement volume at 1000 rpm [l/min] | max. Speed [rpm] | max. Pressure [bar] | max. drive torque [Nm] | Overhang torque [Nm] | Weight [kg]     | L x W x H [mm]  | Direction of rotation Left | Direction of rotation Right | Power control | Drive through shaft | in kit incl. Suction Connection | Article Number Pump kit        |
|-------------|---|------------------|---------------------|------------------------|----------------------|-----------------|-----------------|----------------------------|-----------------------------|---------------|---------------------|---------------------------------|--------------------------------|
| REXROTH     | 55                                      | 2500             | 400                 | 305                    | 21                   | 16              | 266 x 118 x 304 | •                          | •                           |               |                     | EA1288                          | EP 653HD<br>EP 654HD           |
|             | 80                                      | 2240             | 400                 | 446                    | 32                   | 21              | 288 x 128 x 325 | •                          | •                           |               |                     | EA1290                          | EP 651HD<br>EP 652HD           |
|             | 107                                     | 2150             | 400                 | 596                    | 41                   | 25              | 309 x 134 x 342 | •                          | •                           |               |                     | EA1290-45                       | EP 649HD<br>EP 650HD           |
| HYDRO LEDUC | 40                                      | 3000             | 400                 | 225                    | 34                   | 26              | 276 x 125 x 248 | •                          | •                           |               |                     | EA1867                          | EP1923R<br>EP1923L             |
|             | 60                                      | 2600             | 400                 | 335                    | 34                   | 26              | 276 x 125 x 248 | •                          | •                           |               |                     | EA1867                          | EP 768R<br>EP 768L             |
|             | 75                                      | 2000             | 400                 | 420                    | 34                   | 26              | 276 x 125 x 248 | •                          | •                           |               |                     | EA1867                          | EP 769R<br>EP 769L             |
|             | 85                                      | 1900             | 400                 | 730                    | 47,4                 | 31              | 328 x 127 x 282 |                            | •                           |               | •                   | EA1867                          | EP1926DR-085                   |
|             | 92                                      | 1900             | 400                 | 515                    | 34                   | 26              | 276 x 125 x 248 | •                          | •                           |               |                     | EA1867-60                       | EP 770R<br>EP 770L             |
|             | 110                                     | 1900             | 400                 | 730                    | 47,4                 | 31              | 328 x 127 x 282 |                            | •                           |               | •                   | EA1987                          | EP1926DR-110                   |
|             | 120                                     | 2100             | 400                 | 675                    | 34                   | 26              | 276 x 125 x 248 | •                          | •                           |               |                     | EA1867-60                       | EP 945R<br>EP 945L             |
|             | 130                                     | 1900             | 400                 | 730                    | 38,6                 | 28              | 328 x 127 x 282 | •                          | •                           |               |                     | EA5871                          | EP1926U*                       |
|             | 130                                     | 1900             | 400                 | 730                    | 47,4                 | 31              | 328 x 127 x 282 | •                          | •                           |               | •                   | EA1987                          | EP1926DR<br>EP1926DL           |
| 150         | 2000                                    | 350              | 840                 | 38,6                   | 28                   | 266 x 127 x 277 | •               | •                          |                             |               | EA6204              | EP 150U*                        |                                |
| INLINE      | 60                                      | 2500             | 400                 | 530                    | 30                   | 24              | 254 x 115 x 235 |                            | •                           | •             |                     | EA6352                          | EP2169<br>EP2169TR<br>EP2169DR |
|             | 60                                      | 2500             | 400                 | 530                    | 30                   | 24              | 254 x 115 x 235 | •                          | •                           | •             |                     | EA6352                          | EP2173<br>EP2173TL<br>EP2173DL |
|             | 90                                      | 2300             | 400                 | 600                    | 35,5                 | 27              | 278 x 120 x 248 |                            | •                           | •             |                     | EA6355                          | EP2170<br>EP2170TR             |
|             | 90                                      | 2300             | 400                 | 600                    | 35,5                 | 27              | 278 x 120 x 248 | •                          | •                           | •             |                     | EA6355                          | EP2174<br>EP2174TL             |
|             | 110                                     | 2200             | 400                 | 680                    | 40                   | 30              | 280 x 127 x 255 |                            | •                           | •             |                     | EA6355                          | EP2171<br>EP2171TR             |
|             | 110                                     | 2200             | 400                 | 680                    | 40                   | 30              | 280 x 127 x 255 | •                          | •                           | •             |                     | EA6355                          | EP2175<br>EP2175TL             |
|             | 130                                     | 2100             | 400                 | 700                    | 40                   | 31              | 270 x 130 x 289 |                            | •                           | •             | •                   | EA6358                          | EP2172<br>EP2172DR             |
|             | 130                                     | 2100             | 400                 | 700                    | 40                   | 31              | 270 x 130 x 289 | •                          | •                           | •             | •                   | EA6358                          | EP2176<br>EP2176DL             |

All PALFINGER load sensing pumps are presetted with an operating pressure of 200 bar, 30 bar LS pressure and must be set according crane requirements during installation.

More detailed technical data can be found on PALDESK/Equipment

# FIXED DISPLACEMENT PUMPS SINGLE FLOW

All PALFINGER fixed displacement pumps are ideally suited to the needs of the PALFINGER product and are delivered with the appropriate suction connection.

- All fixed pumps are designed for an operating pressure up to 400 bar
- PALFINGER warranty & service
- Every pump is delivered in a package with a suitable suction connection
- Bypass valves optionally available (catalogue page 18)
- The collaboration with established manufacturers ensure longer and easier work with the PALFINGER product

**Rexroth**  
Bosch Group



- Universal rotation direction
- Lightweight design through aluminum casing
- Low noise level due to soundoptimized design

REXROTH

| Displacement volume at 1000 rpm [l/min] | max. Speed [rpm] | max. Pressure [bar] | max. drive torque [Nm] | Overhang torque [Nm] | Weight [kg] | L x W x H [mm]  | Direction of rotation Left | Direction of rotation Right | in kit incl. Suction Connection | Article Number Pump kit                       |
|---|------------------|---------------------|------------------------|----------------------|-------------|-----------------|----------------------------|-----------------------------|---------------------------------|---|
| 23                                      | 3050             | 400                 | 127                    | 4,7                  | 5,9         | 185 x 107 x 161 | •                          | •                           | EA1287                          | EP 340  |
| 32                                      | 2750             | 400                 | 178                    | 4,7                  | 5,9         | 185 x 107 x 161 | •                          | •                           | EA1287                          | EP 341  |
| 46                                      | 2650             | 400                 | 254                    | 8,6                  | 8,4         | 223 x 108 x 182 | •                          | •                           | EA1288                          | EP 342  |
| 63                                      | 2200             | 400                 | 351                    | 9,9                  | 9,3         | 261 x 124 x 208 | •                          | •                           | EA2111                          | EP 344  |
| 81                                      | 2150             | 400                 | 448                    | 15,3                 | 12,3        | 245 x 114 x 201 | •                          | •                           | EA1290                          | EP 345  |
| 107                                     | 2000             | 400                 | 594                    | 20                   | 15          | 272 x 129 x 223 | •                          | •                           | EA1710                          | EP 346  |
| 12                                      | 3150             | 400                 | 76                     | 9,17                 | 9,65        | 197 x 108 x 160 | •                          | •                           | EA1992                          | EP1394A                                       |
| 18                                      | 2900             | 400                 | 114                    | 9,21                 | 9,7         | 197 x 108 x 160 | •                          | •                           | EA1992                          | EP1395A                                       |
| 25                                      | 2750             | 400                 | 159                    | 9,26                 | 9,75        | 197 x 108 x 160 | •                          | •                           | EA1992                          | EP1396A                                       |
| 25                                      | 2200             | 400                 | 177                    | 17                   | 15          | 315 x 107 x 130 | •                          | •                           | EA1731                          | EP 549 <sup>1)</sup><br>EP 549P <sup>1)</sup> |
| 32                                      | 2700             | 400                 | 204                    | 11,55                | 11,55       | 203 x 108 x 166 | •                          | •                           | EA1992                          | EP1397A                                       |
| 34                                      | 2000             | 400                 | 240                    | 17                   | 15          | 315 x 107 x 130 | •                          | •                           | EA1731                          | EP 550 <sup>1)</sup><br>EP 550P <sup>1)</sup> |
| 41                                      | 2550             | 400                 | 261                    | 11,6                 | 11,6        | 315 x 107 x 130 | •                          | •                           | EA1992                          | EP1398A                                       |
| 43                                      | 1750             | 400                 | 304                    | 17                   | 15          | 315 x 107 x 130 | •                          | •                           | EA173                           | EP 551 <sup>1)</sup><br>EP 551P <sup>1)</sup> |
| 50                                      | 2450             | 400                 | 318                    | 12,23                | 11,65       | 315 x 107 x 130 | •                          | •                           | EA1992                          | EP1399A                                       |
| 50                                      | 1650             | 400                 | 354                    | 17                   | 15          | 315 x 107 x 130 | •                          | •                           | EA1867                          | EP 552 <sup>1)</sup><br>EP 552P <sup>1)</sup> |
| 63                                      | 2300             | 400                 | 401                    | 12,28                | 11,7        | 215 x 108 x 175 | •                          | •                           | EA1992                          | EP1400A                                       |
| 65                                      | 1500             | 400                 | 460                    | 17,6                 | 16          | 300 x 107 x 130 | •                          | •                           | EA1867                          | EP 553 <sup>1)</sup><br>EP 553P <sup>1)</sup> |
| 80                                      | 2150             | 400                 | 509                    | 18,36                | 15,5        | 242 x 123 x 190 | •                          | •                           | EA1992                          | EP1401A                                       |
| 78                                      | 1350             | 400                 | 552                    | 21,3                 | 17          | 303 x 107 x 130 | •                          | •                           | EA1867                          | EP 554 <sup>1)</sup><br>EP 554P <sup>1)</sup> |
| 108                                     | 1900             | 400                 | 687                    | 18,48                | 15,4        | 242 x 123 x 190 | •                          | •                           | EA1993                          | EP1402A                                       |
| 114                                     | 1350             | 400                 | 807                    | 31,5                 | 23,5        | 345 124 x 135   | •                          | •                           | EA214                           | EP 555 <sup>1)</sup>                          |
| 130                                     | 1750             | 400                 | 827                    | 19,28                | 15,8        | 244 x 123 x 192 | •                          | •                           | EA1993                          | EP1403A                                       |
| 25                                      | 2200             | 400                 | 163                    | 7,1                  | 8,5         | 206 x 108 x 188 | •                          | •                           | EA6355                          | EP 658R<br>EP 658L                            |
| 41                                      | 2100             | 400                 | 260                    | 7,1                  | 8,5         | 206 x 108 x 188 | •                          | •                           | EA6355                          | EP 659R<br>EP 659L                            |
| 51                                      | 900              | 400                 | 324                    | 7,1                  | 8,5         | 206 x 108 x 188 | •                          | •                           | EA6355                          | EP 660R<br>EP 660L                            |
| 61                                      | 1900             | 400                 | 378                    | 7,1                  | 8,5         | 206 x 108 x 188 | •                          | •                           | EA6358                          | EP 661R<br>EP 661L                            |
| 81                                      | 1750             | 400                 | 518                    | 14,6                 | 12,5        | 259 x 118 x 259 | •                          | •                           | EA6358                          | EP 662R<br>EP 662L                            |
| 101                                     | 1550             | 400                 | 653                    | 14,6                 | 12,5        | 259 x 118 x 259 | •                          | •                           | EA1845-45                       | EP 663R<br>EP 663L                            |

HYDRO LEDUC

PARKER

**HYDRO LEDUC**



Bent axis pump

- Universal rotation direction
- Robust steel casing
- Reinforced seals



In-line pump <sup>1)</sup>

- Universal rotation direction
- Resistant against fluids with slight contamination
- Compact design
- Complete packages incl. suction hose, hose clamps, pressure hose, etc. available (P)

**Parker**



- High hydraulic efficiency
- Excellent reliability

More detailed technical data can be found on PALDESK/Equipment



# FIXED DISPLACEMENT PUMPS DOUBLE FLOW

All PALFINGER fixed displacement pumps are ideally suited to the needs of the PALFINGER product and are delivered with the appropriate suction connection.

- PALFINGER warranty & service
- The collaboration with established manufacturers ensure longer and easier work with the PALFINGER product
- Every pump is delivered in a package with a suitable suction connection
- Bypass valves optionally available (catalogue page 18)



- Universal rotation direction
- Excellent price-performance-ratio
- Variety of different flow rates
- Compact design
- Designed for operating pressure 400 bar continuous and 500 bar peak pressure



- Very low noise emission
- Low weight
- High hydraulic efficiency
- Designed for operating pressure 350 bar continuous and 400 bar peak pressure

|             | Displacement volume at 1000 rpm [l/min] | max. Speed [rpm] | max. Pressure [bar] | max. drive torque [Nm] | Overhang torque [Nm] | Weight [kg] | L x W x H [mm]    | Direction of rotation Left | Direction of rotation Right | in kit incl. Suction Connection | Article Number Pump kit |
|-------------|---|------------------|---------------------|------------------------|----------------------|-------------|-------------------|----------------------------|-----------------------------|---------------------------------|-------------------------|
| HYDRO LEDUC | 39/39                                   | 1350             | 350                 | 552                    | 21,3                 | 23,5        | 345 x 124 x 159   | •                          | •                           | EA1867                          | EP 582                  |
|             | 52/52                                   | 1400             | 350                 | 736                    | 31,5                 | 23,5        | 345 x 124 x 159   | •                          | •                           | EA2148                          | EP 583                  |
|             | 57/57                                   | 1350             | 350                 | 807                    | 31,5                 | 23,5        | 345x 124 x 159    | •                          | •                           | EA2148                          | EP 556                  |
|             | 75/75                                   | 1350             | 350                 | 1062                   | 38,7                 | 28          | 302 x 124 x 162,5 | •                          | •                           | EA2148                          | EP 502                  |
|             | 75/40                                   | 1350             | 350                 | 807                    | 38,7                 | 27,4        | 287 x 124 x 167,5 | •                          | •                           | EA2148                          | EP1158                  |
| PARKER      | 42/42                                   | 1800             | 350                 | 163                    | 22,2                 | 19          | 206 x 108 x 188   | •                          | •                           | EA6355                          | EP 658L<br>EP 658R      |
|             | 53/53                                   | 1800             | 350                 | 260                    | 22,2                 | 19          | 206 x 108 x 188   | •                          | •                           | EA6355                          | EP 659L<br>EP 659R      |
|             | 55/28                                   | 1800             | 350                 | 324                    | 22,2                 | 19          | 206 x 108 x 188   | •                          | •                           | EA6355                          | EP 660L<br>EP 660R      |
|             | 70/35                                   | 1800             | 350                 | 378                    | 22,2                 | 19          | 206 x 108 x 188   | •                          | •                           | EA6358                          | EP 661L<br>EP 661R      |
|             | 70/70                                   | 1650             | 350                 | 518                    | 22,2                 | 19          | 259 x 118 x 259   | •                          | •                           | EA6358                          | EP 662L<br>EP 662R      |

More detailed technical data can be found on PALDESK/Equipment

# ACCESSORIES FOR PUMPS

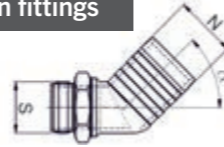
With original accessories from our pump manufacturers, we ensure efficient and safe operation of your equipment.

## GENERAL

| Suction hoses | Code   | Nominal size [mm] | Length [mm] |
|---------------|--------|-------------------|-------------|
|               | EH4720 | 38                | 1700        |
|               | EH4721 | 50                | 1700        |
|               | EH4722 | 60                | 1700        |

### Dimensions suction fittings

Suction connection S  
Nominal inner Ø N  
Version α



## BYPASS VALVES



For bent axis fixed displacement pumps mounted on a non-disconnectable PTO:  
Allows a continuous pump speed, No heat development in the hydraulic circuit, No impairment of the pump life, No modification required on the vehicles hydraulic system

| Manufacturer | Code       | Fits on pump                                   | Info                                    |
|--------------|------------|--|---|
| REXROTH      | EV8393     | EP344  | Deutsch connector                       |
|              | EV8394     | EP345  | Deutsch connector                       |
|              | EV8395     | EP346  | Deutsch connector                       |
| PARKER       | EV8794-24V | EP 658 L/R, EP 659 L/R, EP 660 L/R, EP 661 L/R | Deutsch connector, with manual override |
|              | EV8795-24V | EP 662 L/R, EP 663 L/R                         | Deutsch connector, with manual override |
|              | EV8796-24V | EP 658 L/R, EP 659 L/R, EP 660 L/R, EP 661 L/R | Deutsch connector                       |
|              | EV8797-24V | EP 662 L/R, EP 663 L/R                         | Deutsch connector                       |
|              | EV8798-24V | EP2185 / EP2186, EP 410 / EP 411, EP 984 L/R   | Deutsch connector, with manual override |
|              | EV8799-24V | EP 318, EP 701, EP2187 / EP2188                | Deutsch connector                       |
| HYDRO LEDUC  | EV5183A    | up to 65 l/min                                 | Deutsch connector                       |
|              | EV5184C    | over 65 l/min                                  | Deutsch connector                       |

## REXROTH

| Suction fittings for         | Suction Port S [in] | Nominal size N [mm] | Code   |           |           |
|------------------------------|---------------------|---------------------|--------|-----------|-----------|
|                              |                     |                     | 0°     | 45°       | 90°       |
| Fixed and load sensing pumps | 3/4 "               | 39                  | EA1287 | EA1287-45 | EA1287-90 |
|                              | 1 "                 | 39                  | EA1288 | EA1288-45 | EA1288-90 |
|                              | 1 "                 | 51                  | EA2111 | EA2111-45 |           |
|                              | 1 1/4 "             | 51                  | EA1290 | EA1290-45 | EA1290-90 |
|                              | 1 1/4 "             | 63                  | EA1710 | EA1710-45 |           |



## HAWE

| Suction fittings for    | Suction Port S [in] | Nominal size N [mm] | Code   |        |        |
|-------------------------|---------------------|---------------------|--------|--------|--------|
|                         |                     |                     | 0°     | 45°    | 90°    |
| Load sensing pump (R/L) | 2 "                 | 50                  | EA6352 | EA6353 | EA6354 |
|                         | 2 1/2 "             | 64                  | EA6355 | EA6356 | EA6357 |
|                         | 3 "                 | 76                  | EA6358 | EA6359 |        |



## PARKER

| Suction fittings for                   | Suction Port S [in] | Nominal size N [mm] | Code   |           |           |
|--|---------------------|---------------------|--------|-----------|-----------|
|  |                     |                     | 0°     | 45°       | 90°       |
| Fixed displacement pump<br>Single flow | 1 1/2 "             | 38                  | EA1843 | EA1843-45 | EA1843-90 |
|  | 1 3/4 "             | 48                  | EA1847 | EA1847-45 | EA1847-90 |
|  | 2 "                 | 50                  | EA1844 | EA1844-45 | EA1844-90 |
|  | 2 1/2 "             | 63                  | EA1845 | EA1845-45 |           |
| Fixed displacement pump<br>Double flow | 2 1/2 "             | 63                  | EA1845 | EA1845-45 |           |
|  | 3 "                 | 76                  | EA6532 |           |           |



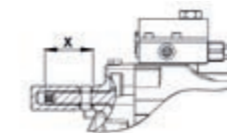
## HYDRO LEDUC

| Suction fittings for  | Suction Port S [in] | Nominal size N [mm] | Code      |        |           |
|---|---------------------|---------------------|-----------|--------|-----------|
|   |                     |                     | 0°        | 45°    | 90°       |
| Fixed displacement pump<br>Bent axis                        | 1 1/2 "             | 39,1                |           | EA1991 | EA1991-90 |
|   | 2 "                 | 51,8                |           | EA1992 | EA1992-90 |
|   | 2 1/2 "             | 64,5                |           | EA1993 | EA1993-90 |
| Fixed displacement pump<br>Single flow                      | 1 1/2 "             | 40                  | EA1731    |        |           |
|   | 1 1/2 "             | 50                  | EA1867    |        |           |
|   | 1 1/2 "             | 60                  | EA1867-60 |        |           |
|   | 1 1/2 "             | 63,5                | EA1867-63 |        |           |
|   | 1 1/2 "             | 76,2                | EA1987    |        |           |
|   | 2 " *               | 50                  | EA2148    |        |           |
| Fixed displacement pump<br>Double flow                      | 1 1/2 "             | 40                  | EA1731    |        |           |
|   | 1 1/2 "             | 50                  | EA1867    |        |           |
|   | 1 1/2 "             | 60                  | EA1867-60 |        |           |
|   | 1 1/2 "             | 63,5                | EA1867-63 |        |           |
|   | 1 1/2 "             | 76,2                | EA1987    |        |           |
|   | 2 "                 | 50                  | EA2148    |        |           |
|   | 2 "                 | 60                  | EA2110    |        |           |
|   | 2 "                 | 60                  | EA2110    |        |           |
| Load sensing pump (U)                                       | 1 1/2 "             | 40                  | EA1731    |        | EA5869    |
|   | 1 1/2 "             | 50                  | EA1867    |        | EA1900    |
|   | 1 1/2 "             | 60                  | EA1867-60 |        |           |
|   | 1 1/2 "             | 63,5                | EA1867-63 |        | EA6206    |
| Load sensing pump (U)<br>(U = Universal rotation direction) | SAE                 | 50                  | EA6203    |        |           |
|   | SAE                 | 60                  | EA5871    |        | EA6205    |
|   | SAE                 | 76,2                | EA6204    |        |           |

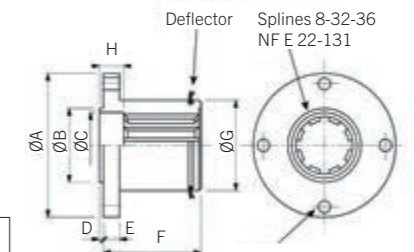


| Setting screw                  | Code   |
|--------------------------------|--------|
| For EP1926U and EP 150U        | ES4006 |
| For the others excl. EP 945R/L | ES2546 |

For setting of the max. oil flow at LEDUC load sensing pump



|         |                         |
|---------|-------------------------|
| DIN 90  | 4 holes Ø 8,5 on Ø 74,5 |
| DIN 100 | 4 holes Ø 10,5 on Ø 84  |



Dimensions in mm.

| Coupling flange                           | Code   | Type    | Ø A | Ø B | C  | D | E  | F  | Ø G | H  |
|---|--------|---------|-----|-----|----|---|----|----|-----|----|
| For direct mounting onto the cardan shaft | EA2065 | DIN 90  | 90  | 47  | 43 | 2 | 10 | 62 | 55  | 15 |
|   | EA2066 | DIN 100 | 100 | 57  | 43 | 2 | 10 | 64 | 55  | 15 |

Please consider the max. torque of the drive shaft. Dimensions in [mm]

# OIL TANK

PALFINGER offers oil tanks perfectly suited to the crane line-up. In addition to essential technical advantages the tanks offer an ideal price-performance-ratio. Whether aluminium or steel tank we support the PALFINGER partner in a qualitative and cost-effective mounting.

- Perfectly adapted to the requirements of the PALFINGER loader and timber & recycling cranes
- Due to a complex individual cleaning process we ensure best possible safety against pollution of the hydraulic system
- Maximum oil saturation due to integrated baffle plates and generously dimensioned suction connections
- Prepared for the PALFINGER oil sensor



| OIL TANK ACCESSORIES                                    | CODE     | DIMENSION        | INFO   |
|---|----------|------------------|--|
| Suction fitting for mounting of a shut-off cock         | EA2102   | 2" - NW 60mm     |  |
| Shut-off cock   | EA1390   | 1 1/4" - NW 38mm | KTK001-BA, KTK021-BA                         |
|   | EV4512   | 2" - NW 50mm     | KTK002-BA - KTK007-BA, KTK063-BB - KTK065-BB |
| Angle piece   | EA1818   | 1 1/4", 90°      | KTK001-BA, KTK021-BA                         |
|   | EA1817   | 2", 90°          | KTK002-BA - KTK007-BA, KTK063-BB - KTK065-BB |
| Screw connection sleeve                                 | EA1901   | 2", L=70mm       | KTK002-BA - KTK007-BA, KTK063-BB - KTK065-BB |
| Electr. temp. and oil level sensor (PALTRONIC 150 only) | EEA6327A | L=410mm          | KTK001-BA, KTK021-BA, KTK063-BB - KTK69-BB   |
|   | EEA6328A | L=510mm          | KTK002-BA-KTK005-BA                          |
|   | EEA6331A | L=1055mm         | KTK007-BA                                    |

- Screwable bracket for different types of vehicles
- Central positioned breath filter
- New level indicator for optimized filling volume and better visibility
- Oil-temperature gauge separately from the level indicator
- Centrally positioned return oil filter



- Excellent price-performance-ratio
- Optimized coating against corrosion
- Central positioned breath filter
- All necessary connections for optimum connection to the PALFINGER crane
- PALFINGER return oil filter
- Universal steel mounting brackets included

## TECHNICAL DATA

## ALUMINIUM OIL TANK

## STEEL OIL TANK

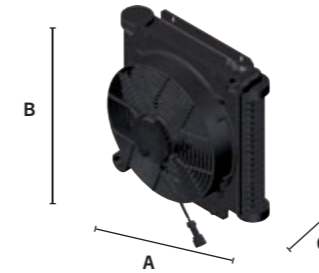
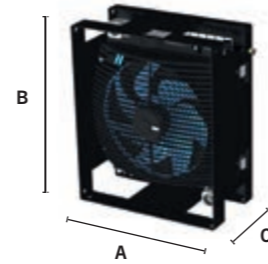
| Capacity     | Article number | Tank volume [l] | Dimensions L x W x H [mm] | Dead weight [kg] | Connections                               |
|--------------|----------------|-----------------|---------------------------|------------------|---|
| 0 - 75 liter | KTK063-BB      | 75              | 300 x 700 x 670           | 27               | S=1x2"; R=60l/min; L=2x3/8"; D=1x3/4"     |
|              |                |                 |                           |                  |   |
| 100 liter    | KTK064-BB      | 100             | 400 x 700 x 680           | 34               | S=2x2"; R=60l/min; L = 2x3/8"; D = 1x3/4" |
|              |                |                 |                           |                  |   |
| 140 liter    | KTK065-BB      | 140             | 580 x 700 x 680           | 39               | S=2x2"; R=180l/min; L = 4x3/8"; D=1x3/4"  |
|              |                |                 |                           |                  |   |
| 200 liter    | KTK066-BB      | 200             | 820 x 700 x 680           | 43               | S=2x3"; R=180l/min; L = 4x3/8"; D=1x3/4"  |
|              |                |                 |                           |                  |   |
| 250 liter    | KTK067-BB      | 250             | 1020 x 700 x 680          | 47               | S=2x3"; R=350l/min; L=4x3/8"; D=1x3/4"    |
|              |                |                 |                           |                  |   |
| 300 liter    | KTK068-BB      | 300             | 1210 x 700 x 680          | 53               | S=2x3"; R=350l/min; L=4x3/8"; D=1x3/4"    |
|              |                |                 |                           |                  |   |
| 400 liter    | KTK069-BB      | 400             | 1610 x 700 x 680          | 70               | S=2x3"; R=350l/min; L=4x3/8"; D=1x3/4"    |
|              |                |                 |                           |                  |   |

| Capacity     | Article number | Tank volume [l] | Dimensions L x W x H [mm] | Dead weight [kg] | Connections                           |
|--------------|----------------|-----------------|---------------------------|------------------|---------------------------------------|
| 0 - 75 liter | UT032*         | 20              | 474 x 250 x 255           | 10               | S = 1/2"; R=20l/min                   |
|              |                |                 |                           |                  |                                       |
| 100 liter    | KTK017-BA*     | 45              | 528 x 435 x 429           | 23               | S = 2x1"; R=80l/min; L=1x             |
|              |                |                 |                           |                  |                                       |
| 140 liter    | KTK001-BA      | 75              | 567 x 440 x 555           | 39               | S=2x1 1/4"; R=60l/min; L=2x           |
|              |                |                 |                           |                  |                                       |
| 200 liter    | KTK021-BA      | 100             | 727 x 440 x 555           | 45               | S=2x1 1/4"; R=80l/min; L=2x3/8"; D=1" |
|              |                |                 |                           |                  |                                       |
| 250 liter    | KTK002-BA      | 140             | 554 x 702 x 660           | 59               | S=2x2"; R=180l/min; L=4x3/8"; D=1"    |
|              |                |                 |                           |                  |                                       |
| 300 liter    | KTK003-BA      | 200             | 749 x 702 x 660           | 62               | S=2x2"; R=180l/min; L=4x3/8"; D=1"    |
|              |                |                 |                           |                  |                                       |
| 400 liter    | KTK004-BA      | 300             | 1054 x 702 x 660          | 77               | S=2x2"; R=180l/min; L= 4x3/8"; D=1"   |
|              |                |                 |                           |                  |                                       |
| 400 liter    | KTK007-BA      | 300             | 952 x 385 x 1318          | 77               | S=2x2"; R=180l/min; L=4x3/8"; D=1"    |
|              |                |                 |                           |                  |                                       |
| 400 liter    | KTK005-BA      | 400             | 1477 x 702 x 660          | 98               | S=2x2"; R=180l/min; L=4x3/8"; D=1"    |
|              |                |                 |                           |                  |                                       |

S = Suction line  
R = Return filter  
L = Leakage oil connection  
D = Oil drain opening  
\* = Without preparation for PALFINGER oil sensor

# OIL COOLER

PALFINGER offers a wide range of additional oil coolers. Using an additional oil cooler ensures an ideal oil temperature throughout the operation and increases the lifespan of the hydraulic fluid as well as the hydraulic components. Special flushing procedures during the manufacturing process ensure that all oil coolers have the optimum system cleanliness.



## STRONG ARGUMENTS

- Highest product quality
- Flexible connection possibilities facilitate the individual mounting of the oil cooler
- By avoiding threads on the oil cooler an optimal system cleanliness is ensured.
- Easier mounting based on selectable flow type (Diagonal- and U-flow)
- All ASA-RAIL oil coolers are delivered with the patented ASA shock absorbers that offer a long and optimal absorption at long operating times
- Temperature sensor with improved protection class (IP69K)
- Protected against polarity and overvoltage as well as temperature-dependent oil cooler speed



For correct dimensioning, please use the calculation on page 10.

## TECHNICAL DATA

### ASA RAIL

### ASA HYDRAULIC

### RAAL

| Cooling capacity [kW]* | ASA RAIL                       |                | ASA HYDRAULIC  |                | RAAL           |                |    |
|------------------------|--------------------------------|----------------|----------------|----------------|----------------|----------------|----|
|                        | Article number                 | Article number | Article number | Article number | Article number | Article number |    |
| ≤ 8,5 kW               | BKA64-12V                      | BKA64-24V      |                |                | EP2055+00004   | EP2055+00003   |    |
|                        | Cooling capacity [kW]*         | 7,6            |                |                | 7,2            | 7              |    |
|                        | Voltage [V]                    | 12             | 24             |                |                | 12             | 24 |
|                        | Current [A]                    | 16             | 8              |                |                | 15             | 9  |
|                        | max. oil flow at 30cst [l/min] | 20 - 150       |                |                |                | 20 - 150       |    |
|                        | Protection class               | IP67           |                |                |                | IP67           |    |
|                        | Temperature range [°C]         | 44 - 55        |                |                |                | 45 - 55        |    |
| 9 - 10,5 kW            | BKA65-12V                      | BKA65-24V      | BKA63-12V      | BKA63-24V      | EP2074+00002   | EP2074+00001   |    |
|                        | Cooling capacity [kW]*         | 10,4           |                | 10,4           |                |                |    |
|                        | Voltage [V]                    | 12             | 24             | 12             | 24             |                |    |
|                        | Current [A]                    | 19             | 11             | 19             | 11             |                |    |
|                        | max. oil flow at 30cst [l/min] | 20 - 150       |                |                | 20 - 150       |                |    |
|                        | Protection class               | IP67           |                |                | IP67           |                |    |
|                        | Temperature range [°C]         | 44 - 55        |                |                | 44 - 55        |                |    |
| ≥ 11 kW                | BKA66-12V                      | BKA66-24V      |                |                |                |                |    |
|                        | Cooling capacity [kW]*         | 15,6           |                |                |                |                |    |
|                        | Voltage [V]                    | 12             | 24             |                |                |                |    |
|                        | Current [A]                    | 19             | 10             |                |                |                |    |
|                        | max. oil flow at 30cst [l/min] | 20 - 200       |                |                |                |                |    |
|                        | Protection class               | IP67           |                |                |                |                |    |
|                        | Temperature range [°C]         | 44 - 55        |                |                |                |                |    |

\* ΔT = 40°C / Q = 100 l/min

- standard
- not available

# STATIONARY HYDRAULIC AGGREGATES

With the stationary hydraulic aggregates, we offer an optimal solution for the application of our loader cranes as well as timber cranes in stationary based operation.

By adapting these units to the special needs of our cranes a simple and efficient electro-hydraulic drive of the crane can be guaranteed.

Due to the integrated power controller, high working pressures are required (up to 400 bar), as well as high liter volumes (up to 195 l/min) possible.

Observe the guidelines for stationary crane operation.



## PERFORMANCE DATA

- Working pressures up to 400 bar
- Motors with efficiency class IE03
- Required mains frequency 50 Hz
- Required voltage 3x400V
- Protection class engine IP55
- Protection class control box IP65



## STRONG ARGUMENTS

- Fast and efficient operation due to the power controller of the unit
- High energy efficiency due to the use of engines of efficiency IE03 and the variable pumps with load sensing device
- The perfectly matched complete system guarantees one simple and quick setup
- High operational reliability of the unit due to optional equipment such as Oil pan and tank heating

15 kW

30 kW

55 kW

75 kW

## HYDRAULIC AGGREGATE

Electric motor, load sensing pump, power-, pressure- and flow-control, damping rails, hydraulic tank, air filter, oil gauge, return filter, float switch

|                         |         | EP1901       | EP1902        | EP1903        | EP1904        |
|-------------------------|---------|--------------|---------------|---------------|---------------|
| Crane class             | [mt]    | 9            | 23            | 50            | 150           |
| Max. flow rate          | [l/min] | 60           | 90            | 142           | 195           |
| Max. operation pressure | [bar]   | 400          | 400           | 400           | 400           |
| Tank volume             | [l]     | 250          | 400           | 400           | 630           |
| Dimensions (A x B x C)  | [mm]    | 1245x910x720 | 1780x1030x780 | 1780x1165x780 | 1780x1385x990 |

## CONTROL BOX

Control box with regulated power supply 3x400VAC / 24VDC / 40A Energy meters for invoicing (non-verifiable)

|                        |      | EEA11010    | EEA11011    | EEA11012    | EEA11013    |
|------------------------|------|-------------|-------------|-------------|-------------|
| Dimensions (D x E x F) | [mm] | 600x600x250 | 600x600x250 | 760x760x300 | 760x760x300 |

## OIL PAN

Version according to Water Resources Act

|                        |      | HXE4940      | HXE4941       | HXE4941       | HXE4942       |
|------------------------|------|--------------|---------------|---------------|---------------|
| Dimensions (G x H x I) | [mm] | 1210x360x970 | 1785x370x1035 | 1785x370x1035 | 1785x440x1245 |

## TANK HEATING

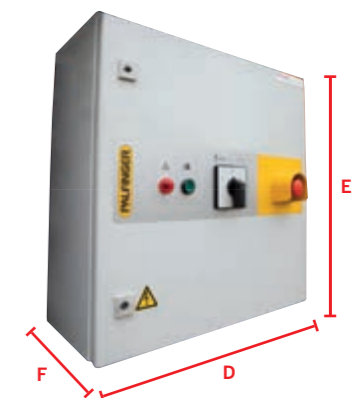
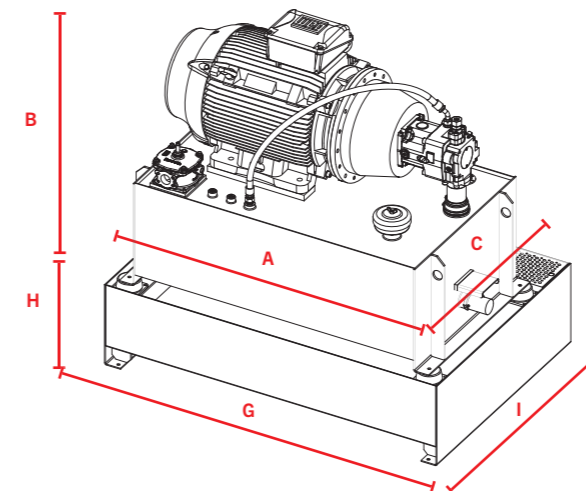
Screw-in heater 1050 Watt

EEA11014

EEA11014

EEA11014

EEA11014



Caution: For cranes with workman basket a separate technical clarification is necessary.

# HYBRID DRIVE

With the PALFINGER hybrid drive, we offer an efficient solution for the mobile use of the crane in noise and emission sensitive areas. By adapting these units to the specific requirements of the crane, a simple and efficient electro-hydraulic operation can be ensured.

- Work in noise and emission sensitive areas
- Save up to 80% of the running costs
- Easy connection by means of power cable to the power supply (32A / 63A)



| Hybrid    | Code                        | Description   | For cranes        | Power connection |
|-----------|-----------------------------|---|-------------------|------------------|
| 15 kW     | 1 x EP1500<br>1 x KEB01441A | Engine Pump Unit Hybrid 15kW<br>Control Box for 1 x 15kW - Hybrid | ≤ PK 50002 EH     | 32A              |
| 30 kW     | 1 x EP2224<br>1 x KEB01442A | Engine Pump Unit Hybrid 30kW<br>Control Box for 1 x 30kW - Hybrid | ≤ PK 110002 SH    | 63A              |
| 2 x 15 kW | 2 x EP1500<br>1 x KEB01443A | Engine Pump Unit Hybrid 15kW<br>Control Box for 2 x 15kW - Hybrid | ≤ PK 135.002 TEC* | 2 x 32A**        |
| 2 x 30 kW | 2 x EP2224<br>1 x KEB01444A | Engine Pump Unit Hybrid 30kW<br>Control Box for 2 x 30kW - Hybrid | ≤ PK 135.002 TEC  | 2 x 63A**        |

\* Attention! Greatly reduced working speed, only to be used if there is limited power grid capacity  
 \*\* Can optionally be used in single-circuit operation at reduced speed

## BENEFITS FOR CUSTOMER

- Reduction of noise pollution
- No exhaust gases at the construction site
- Environmentally friendly solution

## BENEFITS FOR EMPLOYEE

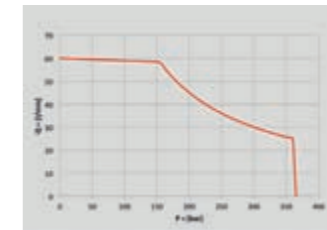
- Quick and smooth working of the crane due to the power controlled load sensing pump
- Facilitated conversation with other employees due to the reduced noise pollution
- Environmentally friendly solution

## BENEFITS FOR ENTREPRENEUR

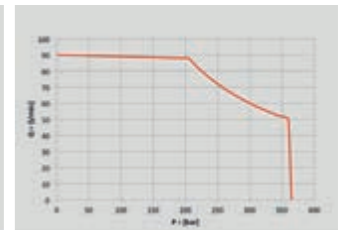
- 80% cost effective saving of energy in crane operation\*
  - Saving of operating hours on the truck
  - Possibility to work in buildings and noise sensitive areas (hospitals, schools...)
  - Environmentally friendly solution
- \*depending on the extent of use and the country-specific prices for energy and fuel

## PLEASE CONSIDER

- Position the oil tank as high as possible
- Only the use of LED lightning on the crane is possible
- Wiring in the control cabinet is to carry out by a certified specialist according wiring diagram
- Due to the power-controlled pump the operating speed of the crane is reduced compared to the conventional hydraulic drive (see performance curve)



Power regulation 15 [kW]



Power regulation 30 [kW]

# EMERGENCY POWERPACK

## EMERGENCY POWERPACK FOR WORKMAN BASKET

In order to ensure a safe lowering of the working basket in the event of failure of the conventional hydraulic system an emergency operation of the working basket must be provided. This emergency lowering is compulsory for EN280 cranes, but is also recommended for NON-CE cranes.

The emergency drive is available as a hydraulic kit for constant or variable displacement pumps for 24V. In the hydraulic kit. All necessary hydraulic components, such as non-return valves, pressure gauges, etc., are included. The hydraulic unit is also available as a loose part (12V / 24V).

ATTENTION: The drive is designed exclusively for emergency and not for standard operation. The hydraulic and electrical connection has to be made according to the building guidelines of PALFINGER. Be sure to observe the specifications of the carrier vehicle! For the electrical connection, the corresponding cable cross sections to be observed (90mm<sup>2</sup>).



| Code      | Description  |
|-----------|--|
| KMG00210A | Emergency drive kit for workman basket on constant flow cranes 24V – 3 kW – max. 270 bar |
| KMG00211A | Emergency drive kit for workman basket on load sensing cranes 24V – 3 kW – max. 270 bar  |
| EP1982    | Emergency power pack 24V – 3kW – max. 270 bar  |
| EP2022    | Emergency power pack 12V – 3kW – max. 270 bar  |

Technical specification available in PALDESK / Equipment

## COMPONENTS HYBRID DRIVE

- Operating pressures up to 400 bar
- Electric engine
- Variable displacement pump
- Power control
- Damping rails
- Installation instructions and documentation (E / DE)

## COMPONENTS CONTROL BOX

- Wired control cabinet
- Device plug for easy connection to the power supply
- Emergency stop button
- Illuminated pushbutton "Pump ON"
- Indicator light "Pump fault"
- Switch from motor-hydraulic to electro-hydraulic
- Outlets for Paltronic, headlight, oil cooler, LS switch
- Controlled power supply 3x400VAC / 24VDC / 40A (60A for Working basket drive EN280 on request)
- Energy meter for invoicing (non-verifiable)
- Installation instructions and documentation (E / DE)
- The cabling between the hybrid drive and the control cabinet must be realized by the installer using the enclosed wiring diagram

## "WATCH THE VIDEO ON YOUTUBE"



## CALCULATE FOR YOURSELF

### COSTS FOR CRANE OPERATION

$$\frac{\text{Consumption per crane operating hour}}{\text{15 kWh}} \times \frac{\text{Price per liter of fuel}}{\text{kWh}} = \frac{\text{Fuel costs per crane operation hour}}{\text{Energy per crane operating hour}}$$

$$\frac{\text{Consumption per crane operating hour}}{\text{15 kWh}} \times \frac{\text{Price per kWh}}{\text{kWh}} = \frac{\text{Energy per crane operating hour}}{\text{Energy per crane operating hour}}$$

$$\frac{\text{Consumption per crane operating hour}}{\text{15 kWh}} \times \text{Operating hours per year} = \text{Savings per year}$$

# ADDITIONAL STABILIZERS

PALFINGER is the only crane manufacturer that offers a complete additional stabilizer range!

- Developed and produced at PALFINGER
- Simple and ideal integration into the stability system of the crane - "Plug & Play"
- Low dead weight = Higher payload
- High permissible supporting forces up to 240 kN
- All supporting cylinders are equipped with tiltable stabilizer pads (Conform to EN12999)
- Fully variable supporting position available
- Up to 50% improved stability
- Protected hoses and cables due to the inside mounting
- Maintenance optimized outrigger system
- High working speed due to return oil utilization
- High quality KTL coating prevents corrosion



## PALFINGER RECOMMENDATION

The following table can be used for selecting the additional stabilizers for the respective crane model in combination with the truck wheel formula. Due to the variety of trucks and cranes, unrealizable combinations can occur.

**This table is only a general information and does not replace an axle load calculation and stability analysis!**

| Crane model                               | Truck wheel drive | Front mounting with platform  | Semi-trailer truck                    | Rear mounting with platform           |
|---|-------------------|---|---------------------------------------|---------------------------------------|
| PK 16001<br>-<br>PK 18001L<br>PK 18502 SH | 4 x 2             | <b>BS002 + STZS</b><br>(BS002 + STZY3)<br>(BS001 + STZS)<br>(BS001 + STZY3) | <b>BS003 + STZS</b><br>(BS002 + STZS) | <b>BS002 + STZS</b><br>(BS001 + STZS) |
|   | 6 x 4             | <b>BS002 + STZS</b><br>(BS002 + STZY3)<br>(BS001 + STZS)<br>(BS001 + STZY3) | <b>BS003 + STZS</b><br>(BS002 + STZS) | <b>BS002 + STZS</b><br>(BS001 + STZS) |
| PK 19502<br>-<br>PK 23001L<br>PK 23002 SH | 4 x 2             | <b>BS002 + STZS</b><br>(BS002 + STZY3)<br>(BS001 + STZS)<br>(BS001 + STZY3) | <b>BS003 + STZS</b><br>(BS002 + STZS) | <b>BS002 + STZS</b><br>(BS001 + STZS) |
|   | 6 x 4             | <b>BS002 + STZS</b><br>(BS002 + STZY3)<br>(BS001 + STZS)<br>(BS001 + STZY3) | <b>BS003 + STZS</b><br>(BS002 + STZS) | <b>BS002 + STZS</b><br>(BS001 + STZS) |

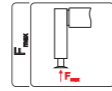
| Crane model                               | Truck wheel drive | Front mounting with platform  | Semi-trailer truck                                    | Rear mounting with platform                                     |
|---|-------------------|---|---|---|
| PK 24001<br>-<br>PK 33002 EH              | 4 x 2             | <b>BS003 + STZS</b><br>(BS003 + STZY3)<br>(BS002 + STZS)<br>(BS004 + STZY3) | <b>BS003 + STZS</b>                                   | <b>BS003 + STZS</b><br>(BS003 + STZS + STÜ07)<br>(BS002 + STZS) |
|   | 6 x 4             | <b>BS003 + STZS</b><br>(BS003 + STZY3)<br>(BS002 + STZS)<br>(BS004 + STZY3) | <b>BS003 + STZS</b>                                   | <b>BS003 + STZS</b><br>(BS003 + STZS + STÜ07)<br>(BS002 + STZS) |
|   | 8 x 4             | <b>BS003 + STZS</b><br>(BS003 + STZY3)<br>(BS002 + STZS)<br>(BS004 + STZY3) | <b>BS003 + STZS</b>                                   | <b>BS003 + STZY3</b><br>(BS004 + STZY3)                         |
| PK 34002 SH<br>-<br>PK 42002 SH           | 4 x 2             | <b>BS005 + STZS</b><br>(BS003 + STZY3)<br>(BS004 + STZY3)                   | <b>BS005 + STZS</b><br>(BS007 + STZS)                 | <b>BS003 + STZS</b><br>(BS005 + STZS + STÜ07)                   |
|   | 6 x 4             | <b>BS005 + STZS</b><br>(BS003 + STZY3)<br>(BS004 + STZY3)                   | <b>BS005 + STZS</b><br>(BS007 + STZS)                 | <b>BS003 + STZS</b><br>(BS005 + STZS + STÜ07)                   |
|   | 8 x 4             | <b>BS005 + STZS</b><br>(BS003 + STZY3)<br>(BS004 + STZY3)                   | <b>BS005 + STZS</b><br>(BS007 + STZS)                 | <b>BS003 + STZY3</b><br>(BS004 + STZY3)                         |
| PK 48002 EH<br>-<br>PK 58.002 TEC 7       | 4 x 2             | <b>BS007 + STZS</b><br>(BS005 + STZS)                                       | <b>BS007 + STZS</b><br>(BS005 + STZS)                 | <b>BS004 + STZS</b>   |
|   | 6 x 4             | <b>BS007 + STZS</b><br>(BS005 + STZS)                                       | <b>BS007 + STZS</b><br>(BS005 + STZS)                 | <b>BS004 + STZS</b>   |
|   | 8 x 4             | <b>BS007 + STZS</b><br>(BS005 + STZS)<br>(BS006 + STZY3)                    | <b>BS007 + STZS</b>                                   | <b>BS006 + STZY3</b><br>(BS005 + STZS)                          |
| PK 56502<br>-<br>PK 65002 SH              | 6 x 4             | <b>BS007 + STZS</b><br>(BS006 + STZY3)<br>(BS019 + STZS)                    | <b>BS007 + STZS</b><br>(BS019 + STZS)                 | <b>BS018 + STZS</b><br>(BS019 + STZS)                           |
|   | 8 x 4             | <b>BS007 + STZS</b><br>(BS018 + STZS)<br>(BS019 + STZS)                     | <b>BS007 + STZS</b><br>(BS019 + STZS)                 | <b>BS018 + STZS</b><br>(BS006 + STZY3)                          |
| PK 78002 SH                               | 6 x 4             | <b>BS007 + STZS</b><br>(BS018 + STZS)<br>(BS019 + STZS)                     | <b>BS007 + STZS</b><br>(BS019 + STZS)                 | <b>BS018 + STZS</b><br>(BS019 + STZS)                           |
|   | 8 x 4             | <b>BS007 + STZS</b><br>(BS018 + STZS)<br>(BS019 + STZS)                     | <b>BS007 + STZS</b><br>(BS019 + STZS)                 | <b>BS018 + STZS</b><br>(BS006 + STZY3)                          |
| PK 92002 SH<br>-<br>PK 110002 SH          | 6 x 4             | -----   | -----   | (**)  |
|   | 8 x 4             | <b>BS019 + STZS</b><br>(BS1242A + STZS+STÜ04)                               | <b>BS019 + STZS</b><br>(BS1242A + STZS+STÜ04)         | <b>BS1242A + STZS</b><br>(BS019 + STZS)<br>(BS1286A + STZY)     |
| PK 135.002 TEC 7<br>-<br>PK 165.002 TEC 7 | 6 x 4             | -----   | -----   | -----   |
|   | 8 x 4             | <b>BS1242A + STZS+STÜ04</b><br>(BS019 + STZS)                               | <b>BS1242A + STZS+STÜ04</b><br>(BS019 + STZS)         | -----   |
|   | 10 x 4            | <b>BS1242A + STZS+STÜ04</b><br>(BS019 + STZS + STÜ11)                       | <b>BS1242A + STZS+STÜ04</b><br>(BS019 + STZS + STÜ11) | -----   |

(\*\*) Special solution on demand

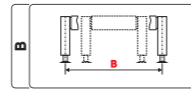
(...) Articles in brackets are possible alternatives

# ADDITIONAL STABILIZERS CONFIGURATION POSSIBILITIES

F<sub>max</sub> [kN]



B [mm]



- standard
  - optional
  - not available
- <sup>1</sup> Also available for cranes with HPSC
  - <sup>2</sup> Not in combination with STÜ07
  - <sup>3</sup> Obligatory for EN-12999
  - <sup>4</sup> Without transport monitoring outriggers



F<sub>max</sub> = 90 kN  
B = 2100 mm  
= 2200 mm  
= 2300 mm



F<sub>max</sub> = 90 kN  
B = 3400 mm



F<sub>max</sub> = 90 kN  
B = 3400 mm



F<sub>max</sub> = 120 kN  
B = 4400 mm



F<sub>max</sub> = 120 kN  
B = 5200 mm



F<sub>max</sub> = 140 kN  
B = 5200 mm



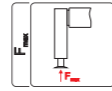
F<sub>max</sub> = 160 kN  
B = 5900 mm

| OPTION                                     | DESCRIPTION   | CODE               | BS001          |                | BS002M |        | BS002H |        | BS003 |        | BS004 |        | BS005 |        | BS006 |        |
|--|---|--------------------|----------------|----------------|--------|--------|--------|--------|-------|--------|-------|--------|-------|--------|-------|--------|
|  |   |                    | CE             | Non-CE         | CE     | Non-CE | CE     | Non-CE | CE    | Non-CE | CE    | Non-CE | CE    | Non-CE | CE    | Non-CE |
| Stability monitoring                       | Step-by-step stability monitoring (0%, 50%, 100%)             | ISC <sup>1</sup>   | ●              | ○              | ●      | ○      | ●      | ○      | ---   | ---    | ---   | ---    | ---   | ---    | ---   | ---    |
|  | Continuous stability monitoring                               | HPSC               | ---            | ---            | ---    | ---    | ---    | ---    | ●     | ○      | ●     | ○      | ●     | ○      | ●     | ○      |
| Paltronic                                  | Prepared for the integration into PAL40                       | PAL40              | ○              | ○              | ---    | ---    | ---    | ---    | ---   | ---    | ---   | ---    | ---   | ---    | ---   | ---    |
|  | Prepared for the integration into PAL50                       | PAL50              | ●              | ●              | ●      | ●      | ●      | ●      | ●     | ●      | ●     | ●      | ●     | ●      | ●     | ●      |
|  | Prepared for the integration into PAL150                      | PAL150             | ○              | ○              | ○      | ○      | ○      | ○      | ○     | ○      | ○     | ○      | ○     | ○      | ○     | ○      |
| Outrigger box                              | Manually extendable outrigger                                 | R <sub>man</sub>   | ●              | ●              | ●      | ●      | ---    | ---    | ---   | ---    | ---   | ---    | ---   | ---    | ---   | ---    |
|  | Hydraulic extendable outrigger                                | RX <sub>hydr</sub> | ---            | ---            | ---    | ---    | ●      | ●      | ●     | ●      | ●     | ●      | ●     | ●      | ●     | ●      |
| Cylinder variant                           | Stabilizer ram rigid, mounting above vehicle frame            | STZS3 MTF-A        | ○              | ○              | ○      | ○      | ○      | ○      | ○     | ○      | ○     | ○      | ---   | ---    | ○     | ○      |
|  | Stabilizer ram rigid, mounting below vehicle frame            | STZS3 MTF-B        | ○              | ○              | ○      | ○      | ○      | ○      | ○     | ○      | ---   | ---    | ○     | ○      | ---   | ---    |
|  | Stabilizer ram 60° manually tiltable                          | STZY3              | ○              | ○              | ○      | ○      | ○      | ○      | ○     | ○      | ○     | ○      | ---   | ---    | ○     | ○      |
|  | Stabilizer ram 180° hydraulically tiltable                    | STZY               | ---            | ---            | ---    | ---    | ○      | ○      | ○     | ○      | ○     | ○      | ---   | ---    | ○     | ○      |
| Long version of stabilizer ram             | 150 mm elongated stabilizer ram                               | STÜ04              | ---            | ---            | ---    | ---    | ---    | ---    | ---   | ---    | ---   | ---    | ---   | ---    | ---   | ---    |
|  | 100 mm elongated stabilizer ram                               | STÜ05              | ○              | ○              | ○      | ○      | ○      | ○      | ---   | ---    | ---   | ---    | ---   | ---    | ---   | ---    |
|  | 200 mm elongated stabilizer ram                               | STÜ07              | ○              | ○              | ○      | ○      | ○      | ○      | ○     | ○      | ○     | ○      | ---   | ---    | ○     | ○      |
|  | 120 mm elongated stabilizer ram                               | STÜ09              | ---            | ---            | ---    | ---    | ---    | ---    | ○     | ○      | ---   | ---    | ○     | ○      | ---   | ---    |
|  | 075 mm elongated stabilizer ram                               | STÜ11              | ---            | ---            | ---    | ---    | ---    | ---    | ---   | ---    | ---   | ---    | ---   | ---    | ---   | ---    |
|  | 220 mm elongated stabilizer ram                               | STÜ12              | ---            | ---            | ---    | ---    | ---    | ---    | ---   | ---    | ---   | ---    | ---   | ---    | ---   | ---    |
| Extensions for stabilizer ram <sup>2</sup> | 100 mm extension  | STT100             | ○              | ○              | ○      | ○      | ○      | ○      | ○     | ○      | ○     | ○      | ○     | ○      | ○     | ○      |
|  | 200 mm extension  | STT200             | ○              | ○              | ○      | ○      | ○      | ○      | ○     | ○      | ○     | ○      | ○     | ○      | ○     | ○      |
| Electric                                   | 24 Volt   | 24V                | ○              | ○              | ○      | ○      | ○      | ○      | ○     | ○      | ○     | ○      | ○     | ○      | ○     | ○      |
|  | 12 Volt   | 12V                | ○              | ○              | ○      | ○      | ○      | ○      | ○     | ○      | ○     | ○      | ○     | ○      | ○     | ○      |
|  | Plug & Play Connection  | S-IQ <sup>3</sup>  | ○              | ---            | ○      | ---    | ○      | ---    | ○     | ---    | ○     | ---    | ○     | ---    | ○     | ---    |
|  | Transport monitoring system outriggers                        | AUSW               | ●              | ---            | ●      | ○      | ●      | ○      | ●     | ○      | ●     | ○      | ●     | ○      | ●     | ○      |
|  | Transport monitoring system outriggers + stabilizer cylinders | ABSTW              | ○ <sup>4</sup> | ○ <sup>4</sup> | ○      | ○      | ○      | ○      | ○     | ○      | ○     | ○      | ○     | ○      | ○     | ○      |
| Others                                     | LED lightning package   | BEL                | ○              | ○              | ○      | ○      | ○      | ○      | ○     | ○      | ○     | ○      | ○     | ○      | ○     | ○      |
|  | Side protection cover outrigger                               | ADECK              | ●              | ○              | ●      | ○      | ●      | ○      | ●     | ○      | ●     | ○      | ●     | ○      | ●     | ○      |
|  | Base coated   | GRUND              | ●              | ●              | ●      | ●      | ●      | ●      | ●     | ●      | ●     | ●      | ●     | ●      | ●     | ●      |

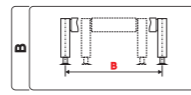


# ADDITIONAL STABILIZERS CONFIGURATION POSSIBILITIES

F<sub>max</sub> [kN]



B [mm]



- standard
- optional
- not available
- <sup>1</sup> Also available for cranes with HPSC
- <sup>2</sup> Not in combination with STÜ07
- <sup>3</sup> Obligatory for EN-12999
- <sup>4</sup> Without transport monitoring outriggers



F<sub>max</sub> = 160 kN  
B = 5900 mm



F<sub>max</sub> = 120 kN  
B = 5200 mm



F<sub>max</sub> = 160 kN  
B = 5900 mm



F<sub>max</sub> = 200 kN  
B = 7100 mm



F<sub>max</sub> = 210 kN  
B = 8500 mm



F<sub>max</sub> = 240 kN  
B = 8600 mm



F<sub>max</sub> = 240 kN  
B = 8600 mm

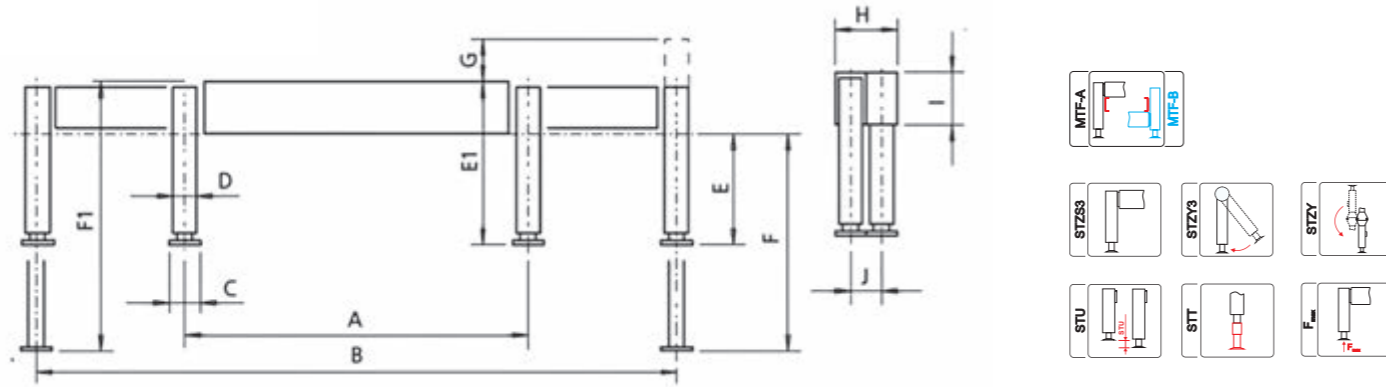
- without return oil utilization
- conventional outrigger system

| OPTION                                     | DESCRIPTION   | CODE               | BS007 |        | BS017 |        | BS018 |        | BS019 |        | BS1242A-1 |        | BS1286A |        | BS1298A |        |
|--|---|--------------------|-------|--------|-------|--------|-------|--------|-------|--------|-----------|--------|---------|--------|---------|--------|
|  |   |                    | CE    | Non-CE | CE    | Non-CE | CE    | Non-CE | CE    | Non-CE | CE        | Non-CE | CE      | Non-CE | CE      | Non-CE |
| Stability monitoring                       | Step-by-step stability monitoring (0%, 50%, 100%)             | ISC <sup>1</sup>   | --    | --     | --    | --     | --    | --     | --    | --     | --        | --     | --      | --     | --      | --     |
|  | Continuous stability monitoring                               | HPSC               | ●     | ○      | ●     | ○      | ●     | ○      | ●     | ○      | ●         | ○      | ●       | ○      | ●       | ○      |
| Paltronic                                  | Prepared for the integration into PAL40                       | PAL40              | --    | --     | --    | --     | --    | --     | --    | --     | --        | --     | --      | --     | --      | --     |
|  | Prepared for the integration into PAL50                       | PAL50              |       | ●      | ●     | ●      | ●     | ●      | ●     | ●      | ●         | ●      | ●       | ●      | ●       | ●      |
|  | Prepared for the integration into PAL150                      | PAL150             | ○     | ○      | ○     | ○      | ○     | ○      | ○     | ○      | ○         | ○      | ○       | ○      | ○       | ○      |
| Outrigger box                              | Manually extendable outrigger                                 | R <sub>man</sub>   | --    | --     | --    | --     | --    | --     | --    | --     | --        | --     | --      | --     | --      | --     |
|  | Hydraulic extendable outrigger                                | RX <sub>hydr</sub> | ●     | ●      | ●     | ●      | ●     | ●      | ●     | ●      | ●         | ●      | ●       | ●      | ●       | ●      |
| Cylinder variant                           | Stabilizer ram rigid, mounting above vehicle frame            | STZS3 MTF-A        | --    | --     | --    | --     | --    | ○      | ○     | ○      | ○         | --     | --      | --     | ●       | ●      |
|  | Stabilizer ram rigid, mounting below vehicle frame            | STZS3 MTF-B        | ○     | ○      | ●     | ●      | ●     | ●      | ○     | ○      | --        | --     | --      | --     | --      | --     |
|  | Stabilizer ram 60° manually tiltable                          | STZY3              | --    | --     | --    | --     | --    | --     | --    | --     | --        | --     | --      | --     | --      | --     |
|  | Stabilizer ram 180° hydraulically tiltable                    | STZY               | --    | --     | --    | --     | --    | --     | --    | --     | --        | --     | ●       | ●      | --      | --     |
| Long version of stabilizer ram             | 150 mm elongated stabilizer ram                               | STÜ04              | --    | --     | --    | --     | --    | --     | --    | ○      | ○         | --     | --      | --     | --      | --     |
|  | 100 mm elongated stabilizer ram                               | STÜ05              | --    | --     | --    | --     | --    | --     | --    | --     | --        | --     | --      | --     | --      | --     |
|  | 200 mm elongated stabilizer ram                               | STÜ07              | --    | --     | --    | --     | --    | --     | --    | --     | --        | --     | --      | --     | --      | --     |
|  | 120 mm elongated stabilizer ram                               | STÜ09              | ○     | ○      | --    | --     | --    | --     | --    | --     | --        | --     | --      | --     | --      | --     |
|  | 075 mm elongated stabilizer ram                               | STÜ11              | --    | --     | --    | --     | --    | --     | ○     | ○      | --        | --     | --      | --     | --      | --     |
|  | 220 mm elongated stabilizer ram                               | STÜ12              | --    | --     | --    | --     | --    | --     | ○     | ○      | --        | --     | --      | --     | --      | --     |
| Extensions for stabilizer ram <sup>2</sup> | 100 mm extension  | STT100             | ○     | ○      | ○     | ○      | ○     | ○      | --    | --     | --        | --     | --      | --     | --      | --     |
|  | 200 mm extension  | STT200             | ○     | ○      | ○     | ○      | ○     | ○      | --    | --     | --        | --     | --      | --     | --      | --     |
| Electric                                   | 24 Volt   | 24V                | ○     | ○      | ○     | ○      | ○     | ○      | ○     | ○      | ○         | ○      | ○       | ○      | ○       | ○      |
|  | 12 Volt   | 12V                | ○     | ○      | ○     | ○      | ○     | ○      | ○     | ○      | ○         | ○      | ○       | ○      | ○       | ○      |
|  | Plug & Play Connection  | S-IQ <sup>3</sup>  | ○     | --     | ○     | --     | ○     | --     | ○     | --     | ○         | --     | ○       | --     | ○       | --     |
|  | Transport monitoring system outriggers                        | AUSW               | ●     | ○      | ●     | ○      | ●     | ○      | ●     | ○      | ●         | ○      | ●       | ○      | ●       | ○      |
|  | Transport monitoring system outriggers + stabilizer cylinders | ABSTW              | ○     | ○      | ○     | ○      | ○     | ○      | ○     | ○      | ○         | ○      | ○       | ○      | ○       | ○      |
|  | LED lightning package   | BEL                | ○     | ○      | ○     | ○      | ○     | ○      | ○     | ○      | ○         | ○      | ○       | ○      | ○       | ○      |
| Others                                     | Side protection cover outrigger                               | ADECK              | ●     | ○      | ●     | ●      | ●     | ●      | ●     | ●      | --        | --     | --      | --     | --      | --     |
|  | Base coated   | GRUND              | ●     | ●      | ●     | ●      | ●     | ●      | ●     | ●      | ●         | ●      | ●       | ●      | ●       | ●      |

# ADDITIONAL STABILIZERS

## DIMENSIONS AND WEIGHT

### DIMENSIONS



| Stabilizer       | Cylinder Variant | Special Stabilizer | F <sub>max</sub> [kN] | Support Width B [mm] | Weight [kg] | A [mm] | C [mm] | D [mm] | E/E1 [mm] | F/F1 [mm] | G [mm] | H [mm] | I [mm] | J [mm] |
|------------------|------------------|--------------------|-----------------------|----------------------|-------------|--------|--------|--------|-----------|-----------|--------|--------|--------|--------|
| BS001            | STZS3 MTF-A      | --                 |                       |                      | 185         |        |        |        | E-715     | F-1235    | 20     |        |        |        |
|                  | STZS3 MTF-A      | STÜ07              |                       | 2100*                | 200         | 2100   |        |        | E-907     | F-1615    | 20     |        |        |        |
|                  | STZS3 MTF-B      | --                 | 90                    | 2200*                | 177         | 2200   | 230    | 127    | E1-400    | F1-850    | 380    | 150    | 130    | 0      |
|                  | STZS3 MTF-B      | STÜ05              |                       | 2300*                | 185         | 2300   |        |        | E1-555    | F1-1075   | 330    |        |        |        |
|                  | STZY3            | --                 |                       |                      | 215         |        |        | E-852  | F-1372    | 20        |        |        |        |        |
| BS002H<br>BS002M | STZS3 MTF-A      | --                 |                       |                      | 250         |        |        |        | E-725     | F-1305    | 20     |        |        |        |
|                  | STZS3 MTF-A      | STÜ07              |                       |                      | 265         |        |        |        | E-878     | F-1586    | 20     |        |        |        |
|                  | STZS3 MTF-B      | --                 | 90                    | 3400                 | 242         | 2300   | 230    | 127    | E1-401    | F1-851    | 380    | 150    | 180    | 0      |
|                  | STZS3 MTF-B      | STÜ05              |                       |                      | 250         |        |        |        | E1-556    | F1-1076   | 330    |        |        |        |
|                  | STZY3            | --                 |                       |                      | 280         |        |        | E-824  | F-1344    | 20        |        |        |        |        |
|                  | STZY             | --                 |                       |                      | 333         |        |        | E-972  | F-1542    | 90        |        |        |        |        |
| BS003            | STZS3 MTF-A      | --                 |                       |                      | 490         |        |        |        | E-675     | F-1255    | 25     |        |        |        |
|                  | STZS3 MTF-A      | STÜ07              |                       |                      | 510         |        |        |        | E-874     | F-1629    | 25     |        |        |        |
|                  | STZS3 MTF-B      | --                 | 120                   | 4400                 | 479         | 2323   | 230    | 127    | E1-406    | F1-876    | 374    | 320    | 200    | 153    |
|                  | STZS3 MTF-B      | STÜ09              |                       |                      | 491         |        |        |        | E1-576    | F1-1156   | 374    |        |        |        |
|                  | STZY3            | --                 |                       |                      | 514         |        |        | E-825  | F-1300    | --        |        |        |        |        |
|                  | STZY             | --                 |                       |                      | 538         |        |        | E-881  | F-1411    | --        |        |        |        |        |
| BS004            | STZS3 MTF-A      | --                 |                       |                      | 600         |        |        |        | E-675     | F-1255    | 25     |        |        |        |
|                  | STZS3 MTF-A      | STÜ07              |                       |                      | 620         |        |        |        | E-874     | F-1629    | 25     |        |        |        |
|                  | STZY3            | --                 | 120                   | 5200                 | 624         | 2323   | 230    | 127    | E-825     | F-1300    | --     | 320    | 200    | 154    |
|                  | STZY             | --                 |                       |                      | 648         |        |        |        | E-881     | F-1411    | --     |        |        |        |
| BS005            | STZS3 MTF-B      | --                 |                       |                      | 540         |        |        |        | E1-400    | F1-870    | 374    | 250    | 335    | 119    |
|                  | STZS3 MTF-B      | STÜ05              | 140                   | 5200                 | 555         | 2323   | 230    | 127    | E1-570    | F1-1150   | 374    |        |        |        |
| BS006            | STZS3 MTF-A      | --                 |                       |                      | 790         |        |        |        | E-650     | F-1230    | 55     |        |        |        |
|                  | STZS3 MTF-A      | STÜ07              |                       |                      | 810         |        |        |        | E-849     | F-1604    | 55     | 400    | 250    | 234    |
|                  | STZY3            | --                 | 160                   | 5900                 | 810         | 2323   | 230    | 127    | E-800     | F-1275    | --     |        |        |        |
|                  | STZY             | --                 |                       |                      | 845         |        |        |        | E-856     | F-1386    | --     |        |        |        |
| BS007            | STZS3 MTF-B      | --                 |                       |                      | 720         |        |        |        | E1-400    | F1-870    | 380    | 322    | 354    | 237    |
|                  | STZS3 MTF-B      | STÜ05              |                       |                      | 735         |        |        |        | E1-570    | F1-1150   | 330    |        |        |        |
| BS017            | STZS3 MTF-B      | --                 | 120                   | 5200                 | 587         | 2323   | 230    | 127    | E1-205    | F1-505    | 405    | 330    | 200    | 154    |
| BS018            | STZS3 MTF-B      | --                 | 160                   | 5900                 | 803         | 2316   | 230    | 127    | E1-265    | F1-565    | 344    | 459    | 250    | 192    |
| BS019            | STZS3 MTF-A      | --                 |                       |                      | 1345        |        |        |        | E-611     | F-1221    | 14     |        |        |        |
|                  | STZS3 MTF-B      | --                 |                       |                      | 1335        |        |        |        | E1-320    | F1-620    | 394    | 616    | 327    | 290    |
|                  | STZS3 MTF-B      | STÜ11              | 200                   | 7100                 | 1345        | 2100   | 300    | 146    | E1-320    | F1-699    | 473    |        |        |        |
|                  | STZS3 MTF-B      | STÜ12              |                       |                      | 1365        |        |        |        | E1-359    | F1-883    | 577    |        |        |        |
|                  | STZS3 MTF-A      | --                 |                       |                      | 1840        |        |        |        | E-669     | F-1279    | --     |        |        |        |
| BS1242A-1        | STZS3 MTF-B      | --                 | 210                   | 8.600                | 1840        | 2180   | 300    | 146    | E1-414    | F1-793    | 355    | 703    | 440    | 340    |
|                  | STZS3 MTF-B      | STÜ04              |                       |                      | 1860        |        |        |        | E1-452    | F1-976    | 459    |        |        |        |
| BS1286A          | STZY             | --                 | 240                   | 8.600                | 1496        | 2514   | 360    | 146    | E-1099    | F-1677    | --     | 644    | 425    | 196    |
| BS1298A          | STZS3 MTF-A      | --                 | 240                   | 8.600                | 1395        | 2248   | 360    | 146    | E-887     | F-1393    | 61     | 396    | 425    | 196    |

\* to be determined at mounting

# CONTROL VALVE

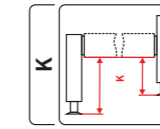
| Control Valve                                      | Code        | Fits on   |
|--|-------------|---|
| 2-way valve with integrated return oil utilization | US1070**    | BS1242A-1   |
| 4-way valve without return oil utilization         | US891       | BS002H-BS007, BS017-BS019, BS1242A-1*, BS1286A, BS1298A |
| 2-way valve without return oil utilization         | KSC00012C** | BS001-BS007, BS017-BS019 Front- & Frame stabilizers     |

\* Reduced speed when used for BS1242A-1

\*\* when used for an additional stabilizer with 4 functions – outrigger and stabilizer cylinder - 2 pcs. are required

## FRONT STABILIZERS & FRAME STABILIZERS

- PALFINGER development and manufacturing
- Designed for optimal safety
- High permissible supporting forces up to 300 kN
- Integrated stability control
- Simple and efficient integration into the Stability system



| Front Stabilizers  | Code          | F <sub>max</sub> * [kN] | Total length [mm] | Stroke [mm] | Weight [kg] |
|--|---------------|-------------------------|-------------------|-------------|-------------|
| 1 pcs. front stabilizer incl. support control switch                                 | BS1322B       | 100                     | 730               | 450         | 49          |
| 1 pcs. front stabilizer incl. support control switch and S-IQ                        | BS1322B+SIQ   | 100                     | 730               | 450         | 50          |
| 2 pcs. BS1322B incl. support control switch and S-IQ cable harness for 2 cylinders   | KSZ00419A+SIQ | 100                     | 730               | 450         | 100         |
| 1 pcs. front stabilizer incl. support control switch                                 | BS1323B       | 150                     | 990               | 655         | 79          |
| 1 pcs. front stabilizer incl. support control switch and S-IQ                        | BS1323B+SIQ   | 150                     | 990               | 655         | 80          |
| 2 pcs. BS1323B incl. support control switch and S-IQ cable harness for 2 cylinders   | KSZ00420A+SIQ | 150                     | 990               | 655         | 160         |
| 1 pcs. front stabilizer incl. support control switch                                 | KSZ00284A     | 200                     | 780               | 450         | 79          |
| 1 pcs. front stabilizer incl. support control switch and S-IQ                        | KSZ00284A+SIQ | 200                     | 780               | 450         | 80          |
| 2 pcs. KSZ00284A incl. support control switch and S-IQ cable harness for 2 cylinders | KSZ00421A+SIQ | 200                     | 780               | 450         | 160         |
| 1 pcs. front stabilizer incl. support control switch                                 | KSZ00286A     | 300                     | 810               | 450         | 89          |
| 1 pcs. front stabilizer incl. support control switch and S-IQ                        | KSZ00286A+SIQ | 300                     | 810               | 450         | 90          |
| 2 pcs. KSZ00286A incl. support control switch and S-IQ cable harness for 2 cylinders | KSZ00422A+SIQ | 300                     | 810               | 450         | 180         |
| 1 pcs. front stabilizer incl. support control switch                                 | KSZ00440A     | 196                     | 630               | 300         | 70          |
| 1 pcs. front stabilizer incl. support control switch and S-IQ                        | KSZ00440A+SIQ | 196                     | 630               | 300         | 71          |
| 2 pcs. KSZ00440A incl. support control switch and S-IQ cable harness for 2 cylinders | KSZ00441A+SIQ | 196                     | 630               | 300         | 141         |
| 1 pcs. front stabilizer incl. support control switch                                 | KSZ00443A     | 98                      | 630               | 300         | 45          |
| 1 pcs. front stabilizer incl. support control switch and S-IQ                        | KSZ00443A+SIQ | 98                      | 630               | 300         | 46          |
| 2 pcs. KSZ00443A incl. support control switch and S-IQ cable harness for 2 cylinders | KSZ00444A+SIQ | 98                      | 630               | 300         | 91          |

\* max. permissible dyn. Stabilizer force per stabilizer cylinder

| Frame stabilizers                  | Code   | F <sub>max</sub> [kN] | Total length [mm] | Stroke [mm] | K [mm] | Weight [kg] |
|------------------------------------|--------|-----------------------|-------------------|-------------|--------|-------------|
| 2 pcs. rigid stabilizer rams STZS3 | BS1333 | 85                    | 770               | 450         | 385    | 105         |
| 2 pcs. rigid stabilizer rams STZS3 | BS1334 | 85                    | 760               | 415         | 615    | 105         |
| 2 pcs. rigid stabilizer rams STZS3 | BS1335 | 85                    | 985               | 630         | 830    | 125         |

# FRONT STABILIZER KITS

PALFINGER is the only crane manufacturer that offers a complete range of front stabilizers.

- A screwable system that is optimally adapted to the respective truck chassis reduces material and installation costs
- Ideal transmission of force through the specially adapted cross beams and connections to the respective vehicle frames
- Compact design thanks to the integration of the support cylinder into the cross beam
- Cylinder lengths optimized for each chassis variant
- Simple and ideal integration into the HPSC stability system of the crane via S-IQ - Plug & Play
- Due to the included pressure transducers (or pressure switches for non-S-IQ), the kits have an integrated, adjustable frame overload protection system
- The special designed air intakes of the covers ensure good ventilation of the engine when the vehicle is stationary
- Maximum operational safety due to the transport position monitoring of the support cylinder
- Developed and tested by the PALFINGER MCC (Mounting Competence Center) in cooperation with the truck manufacturers



## KIT COMPONENTS

- Traverse (cross beam) including connections to the respective chassis
- Stabilizer ram
- Shunting or towing coupling including fastening material
- Hydraulic hoses for an easy connection to the crane hydraulics (control valve not included)
- The optional S-IQ kit for an easy integration into the stability and transport position monitoring system
- Optional available aluminum design front covers (raw - unpainted) including grid for the air intakes

## SCANIA NTG

| Option                  | Description  | Code   | KSZ00448A | KSZ00449A |
|-------------------------|--|--------|-----------|-----------|
| Stabilizer length       | stabilizer + 150 mm (max. stabilizer force 196 kN!)        | STÜ04  | ○         | ○         |
|                         | stabilizer + 75 mm (max. stabilizer force 196 kN!)         | STÜ11  | ○         | ○         |
|                         | 0 - 173 kN   | 173KN  | ●         | ●         |
| Stabilizer force        | > 173 - 196 kN (only in combination STÜ04)                 | 196KN* | ○         | ○         |
|                         | > 173 - 245 kN (NOT in combination with STÜ04)             | 245KN* | ○         | ○         |
| Cover                   | Aluminium-Front cover (raw)                                | FADST  | ○         | ○         |
| Stabilizer intelligence | Plug & Play connection (obligatory with SH and TEC cranes) | S-IQ   | ○         | ○         |

\* Front frame reinforcement by Scania factory conversion kit FMSC-FA-62501 mandatory! Mounting brackets for the connection already included in the Scania factory conversion kit.

## MAN TGS & TGX

| Option                  | Description  | Code  | KSZ00474A |
|-------------------------|--|-------|-----------|
| Underride Protection    | Vehicle with Underride Protection                          | SZ002 | ●         |
|                         | Vehicle without Underride Protection                       | SZ000 | ○         |
| Stabilizer length       | stabilizer + 150 mm  | STÜ04 | ○         |
|                         | stabilizer + 75 mm   | STÜ11 | ○         |
| Cover                   | Aluminium-Front cover (raw)                                | FADST | ○         |
| Stabilizer intelligence | Plug & Play connection (obligatory with SH and TEC cranes) | S-IQ  | ○         |

## MERCEDES BENZ AROCS | MODEL TYPE 964.XXX

| Option                  | Description   | Code   | KSZ00498A |
|-------------------------|---|--------|-----------|
| Vehicle-Code            | Non-AWD   | C50-V1 | ●         |
|                         | AWD, Non-AWD with F2M+(M2R/M2S), Non-AWD with Z5E+R0V, Non-AWD with Z5F/Z5L | C50-V2 | ○         |
| stabilizer length       | stabilizer +75 mm   | STÜ11  | ○         |
| Cover                   | Aluminium-Front cover (raw)   | FADST  | ○         |
| Stabilizer intelligence | Plug & Play connection (obligatory with SH and TEC cranes)                  | S-IQ   | ○         |

## VOLVO FH / FM / FMX (V4)

| Option                  | Description  | Code     | KSZ00497A | KSZ00479A |
|-------------------------|--|----------|-----------|-----------|
| Vehicle Type            | VOLVO FH   | FZTYP017 | ●         | ●         |
|                         | VOLVO FM   | FZTYP018 | ○         | ○         |
|                         | VOLVO FMX  | FZTYP019 | ○         | --        |
| Stabilizer length       | stabilizer + 75 mm   | STÜ11    | ○         | --        |
| Cover                   | Aluminium-Front cover (raw)                                | FADST    | ○         | ○         |
| Stabilizer intelligence | Plug & Play connection (obligatory with SH and TEC cranes) | S-IQ     | ○         | ○         |

## SCANIA P / R / G –SERIE - FRAME 957 OR 958

| Option                  | Description   | Code          | KSZ00326A | KSZ00327A |
|-------------------------|---|---------------|-----------|-----------|
| Cooler width            | cooler width = 1020 mm  | 1020mm        | ○         | --        |
|                         | cooler width = 1140 mm  | 1140mm        | --        | ○         |
| Pull straps             | pull straps kit with towing load 250kN                        | KMG06247A     | ○         | --        |
|                         | pull straps kit with towing load 250kN                        | KMG06248A     | --        | ○         |
| Adaption plate          | adaption plate for steel bumper                               | BZ488         | ○         | ○         |
| Cover                   | cover for front stabilizer kit for SCANIA with plastic bumper | CCS60000-30   | ○         | ○         |
|                         | cover for front stabilizer kit for SCANIA with steel bumper   | CCS60000-50   | ○         | ○         |
|                         | cover cap 50mm  | CCS60000-6001 | ○         | ○         |
|                         | cover cap 100mm   | CCS60000-6002 | ○         | ○         |
| Stabilizer intelligence | Plug & Play connection (obligatory with SH and TEC cranes)    | S-IQ          | ○         | ○         |

- standard
- optional
- not available

# FRONT STABILIZER KITS

## TECHNICAL DATA

### ATTENTION

The max. support forces relate exclusively to the respective front stabilizer kit!  
The maximum permissible supporting forces at the front of the respective chassis must be clarified with the responsible truck organization!



### TECHNICAL DATA

| Chassis              | Kit              | Cylinder Variant           | Max. dyn. support force [kN] | Total weight* [kg] | Stroke stabilizer ram [mm] | Max. towing load shunting coupling [kN/t] |
|----------------------|------------------|----------------------------|------------------------------|--------------------|----------------------------|---|
| SCANIA NTG           | KSZ00448A        | Single stabilizer standard | 245                          | 205                | 300                        | 245 / 25                                  |
| SCANIA NTG           | KSZ00448A +STÜ04 | Single stabilizer +150 mm  | 196                          | 216                | 450                        | 245 / 25                                  |
| SCANIA NTG           | KSZ00448A +STÜ11 | Single stabilizer + 75 mm  | 196                          | 212                | 375                        | 245 / 25                                  |
| SCANIA NTG           | KSZ00449A        | Double stabilizer standard | 245                          | 208                | 450                        | 245 / 25                                  |
| SCANIA NTG           | KSZ00449A +STÜ04 | Double stabilizer +150 mm  | 196                          | 230                | 450                        | 245 / 25                                  |
| SCANIA NTG           | KSZ00449A +STÜ11 | Double stabilizer +75 mm   | 196                          | 219                | 375                        | 245 / 25                                  |
| Volvo FH/FM/FMX (V4) | KSZ00497A        | Single stabilizer          | 196                          | 150                | 450                        | 245 / 25                                  |
| Volvo FH/FM/FMX (V4) | KSZ00497A +STÜ11 | Single stabilizer + 75 mm  | 196                          | 155                | 450                        | 245 / 25                                  |
| Volvo FH/FM (V4)     | KSZ00479A        | Double stabilizer          | 196                          | 158                | 450                        | 245 / 25                                  |
| MAN TGS & TGX        | KSZ00474A        | Single stabilizer standard | 147                          | 116                | 300                        | 245 / 25                                  |
| MAN TGS & TGX        | KSZ00474A +STÜ11 | Single stabilizer + 75 mm  | 147                          | 122                | 375                        | 245 / 25                                  |
| MAN TGS & TGX        | KSZ00474A +STÜ04 | Single stabilizer +150 mm  | 147                          | 127                | 450                        | 245 / 25                                  |
| Mercedes Benz Arocs  | KSZ00498A        | Single stabilizer          | 147                          | 195                | 375                        | 220 / 22,4                                |
| Mercedes Benz Arocs  | KSZ00498A +STÜ11 | Single stabilizer + 75 mm  | 147                          | 200                | 450                        | 220 / 22,4                                |
| SCANIA G / P / R     | KSZ00326A        | Single stabilizer standard | 196                          | 180                | 450                        | 245 / 25                                  |
| SCANIA G / P / R     | KSZ00327A        | Single stabilizer standard | 196                          | 180                | 450                        | 245 / 25                                  |



# STABILIZER PADS AND TRANSPORT BOXES

The ideal substructure for your crane:

- Ideal for various ground surfaces
- Easy and fast handling due to the carrying straps as well as the fastening possibilities on the truck
- Maximum safety for all supporting forces tested by PALFINGER
- Even at low temperatures - no risk of breakage
- Suitable transport boxes available for all sizes
- Fast and safe locking of the stabilizer pads via the retrofit set QuickLock



### STABILIZER PADS

| Description  | Code       | L x W x H [mm] | Weight [kg] | Supporting force [t] |
|--|------------|----------------|-------------|----------------------|
| ROUND   | EZ2261-400 | Ø 400 x 80     | 5           | 12                   |
|  | EZ2261-500 | Ø 500 x 80     | 7           | 16                   |
| SQUARE  | EZ2189-300 | 300 x 300 x 40 | 3,5         | 13                   |
|  | EZ2189-400 | 400 x 400 x 50 | 8           | 19                   |
|  | EZ2189-500 | 500 x 500 x 60 | 15          | 31                   |
|  | EZ2189-600 | 600 x 600 x 60 | 21          | 41                   |
|  | EZ2189-800 | 800 x 800 x 60 | 38          | 50                   |

### TRANSPORT BOXES

| Description  | Code       | L x W x H [mm] | Weight [kg] | Locking System QuickLock* |
|--|------------|----------------|-------------|---------------------------|
| bracket for round stabilizer pads uncoated    | EZ2262-400 | 410x410x77,5   | 5           | --                        |
|  | EZ2262-500 | 510x510x70,5   | 7           | --                        |
| bracket for round stabilizer pads KTL coated  | EZ2263-400 | 410x410x77,5   | 5           | --                        |
|  | EZ2263-500 | 510x510x70,5   | 7           | --                        |
| bracket for 1 square pad galvanized           | EZ2236-300 | 354x319x94     | 4           | --                        |
|  | EZ2236-400 | 439x414x99     | 6           | --                        |
|  | EZ2236-500 | 544x514x109    | 7           | EFA 439                   |
|  | EZ2236-600 | 654x614x109    | 9           | EFA 439                   |
| bracket for 2 square pads galvanized          | EZ2236-800 | 854x814x109    | 12          | EFA 439                   |
|  | EZ2190-300 | 354x319x134    | 4           | --                        |
|  | EZ2190-400 | 439x414x154    | 6           | --                        |
|  | EZ2190-500 | 544x514x174    | 8           | EFA 440                   |
|  | EZ2190-600 | 654x614x174    | 10          | EFA 440                   |
|  | EZ2190-800 | 854x814x174    | 15          | EFA 440                   |

\* only useable when box is mounted vertically

# MOUNTING KIT FOR 3.5T TRUCK

- Complete screwable kit for easy mounting on the truck
- Including all hydraulic and electric components
- No welding work required
- No complex adjustments
- Reduction in mounting time from 30% up to 50%
- Standard platform of the vehicle manufacturer is useable
- Higher payload because an additional sub frame is no longer needed
- All components are proved by PALFINGER and therefore perfectly fit to the demand of the crane



## TECHNICAL SPECIFICATIONS

Depending on the crane vehicle combination  
Following components are included in the mounting kit

- Frame brackets
- Stabilizer system (conform EN12999)
  - PC 1500 - outrigger one side (R) + 1 stabilizer cylinder
  - PC 2700 - outrigger both sides (R2) + 2 short rigid stabilizer cylinders
- Screws for fixing to the vehicle frame
- Templates or detailed information for for an easy remove of the area at the platform where the crane will be mounted
- Cover for the platform floor around the crane column
- Complete wiring harness with all necessary switches, plugs and fuses
- Oil tank and all necessary hydraulic hoses
- Detailed set-up instructions with complete photo-documentation

## YOU NEED

- Carrier vehicle with standard platform
- Crane
- Mounting kit
- approx. 20 h assembly time

## AVAILABLE FOR:

- IVECO New DAILY
- VW T6
- MERCEDES SPRINTER
- RENAULT MASTER
- FIAT DUCATO Multijet 2
- MAN TGE
- VW Crafter

## BEST PRICE PROOF 3,5T MOUNTING KIT + PC CRANE

On the example PC 2700B, BS013 R2 and powered by powerpack

| Conventional assembly  | EUR | Assembly with mounting kit          | EUR |
|--|-----|-------------------------------------|-----|
| Crane PC 2700 B, ISC-S, EKAT, VPACK  |     | Crane PC 2700 B, ISC-S, EKAT, VPACK |     |
| Support BS013, STZS3, ISC-S  |     | Mounting kit variant with powerpack |     |
| 4 kW powerpack EP 1983C  |     | 20 h mounting x hourly rate [€/h]   |     |
| 6 m cable kit powerpack EEA9836A   |     |                                     |     |
| Mounting plates, stiffing plates etc.  |     |                                     |     |
| Small materials, screws, washers, etc.   |     |                                     |     |
| 8h project engineering (planning, calculating, logistics, etc.) x hourly rate [€/h]  |     |                                     |     |
| 40h buildup (demount platform, weld subframe, mounting crane and stabilizer, total electric and hydraulic, etc.) x hourly rate [€/h] |     |                                     |     |
| <b>Total</b>   |     | <b>Total</b>                        |     |

## DRIVE VARIANTS

- **Gear pump for mounting at the PTO**
  - Only for Mercedes Sprinter, Renault Master, Iveco New Daily, MAN TGE and VW Crafter
  - For continuous operation
  - For rope winch application
- **Gear pump with electromagnetic clutch and oil tank**
  - Only for FIAT Ducato including air conditioning
  - For continuous operation
  - For rope winch application
- **Hydraulic power pack**
  - Suitable for all vehicles
  - Limited operating time
  - (Attention > consider Product Information 03-2016)
  - Winch operation not possible!

100% compatibility can not be guaranteed!  
Adaptations may be necessary.



The following vehicles based on the same chassis:  
FIAT Ducato Multijet > PEUGEOT Boxer / CITROEN Jumper / CHRYSLER RAM ProMaster  
RENAULT Master > OPEL Movano / NISSAN NV400

| MAN TGE & VW Crafter*   | PC 1500                       |                                     | PC 2700                      |                              |                              |                              |
|---|-------------------------------|-------------------------------------|------------------------------|------------------------------|------------------------------|------------------------------|
|   | Manuell                       | RRC                                 | Manuell                      | RRC                          |                              |                              |
| Crane left or right (In driving direction)                                | Front mounted                 | Pump on PTO<br>Powerpack            | CCX061011111<br>CCX061041111 | CCX061011121<br>CCX061041121 | CCX061012113<br>CCX061042113 | CCX061012123<br>CCX061042123 |
| <b>IVECO NEW DAILY (2017 model)</b>                                       |                               |                                     |                              |                              |                              |                              |
| Crane left or right (In driving direction)                                | Front mounted                 | Pump on PTO<br>Powerpack            | CCX041011111<br>CCX041041111 | CCX041011121<br>CCX041041121 | CCX041012113<br>CCX041042113 | CCX041012123<br>CCX041042123 |
| <b>VW T6 **</b>   |                               |                                     |                              |                              |                              |                              |
| Crane left or right (In driving direction)                                | Rear mounted<br>Front mounted | Powerpack<br>Powerpack              | CCX051041211<br>CCX051041111 | -<br>-                       | -<br>-                       | -<br>-                       |
| <b>MERCEDES SPRINTER (OM651 DE 22LA – 316 R2; 316 R3; 516 R2; 516 R3)</b> |                               |                                     |                              |                              |                              |                              |
| Crane left (In driving direction)   | Front mounted                 | Pump on PTO<br>Powerpack            | CCX021011411<br>CCX021041411 | CCX021011421<br>CCX021041421 | CCX021012413<br>CCX021042413 | CCX021012423<br>CCX021042423 |
| Crane right (In driving direction)  | Front mounted                 | Pump on PTO<br>Powerpack            | CCX021011311<br>CCX021041311 | CCX021011321<br>CCX021041321 | CCX021012313<br>CCX021042313 | CCX021012323<br>CCX021042323 |
| <b>RENAULT MASTER (150.35 - Flatbed 40 L3 - M9T - 107kW)</b>              |                               |                                     |                              |                              |                              |                              |
| Crane left (In driving direction)   | Front mounted                 | Pump on PTO<br>Powerpack            | CCX031011411<br>CCX031041411 | -<br>-                       | CCX031012413<br>CCX031042413 | -<br>-                       |
| Crane right (In driving direction)  | Front mounted                 | Pump on PTO<br>Powerpack            | CCX031011311<br>CCX031041311 | CCX031011321<br>CCX031041321 | CCX031012313<br>CCX031042313 | CCX031012323<br>CCX031042323 |
| <b>FIAT DUCATO *** (130 Multijet 2)</b>                                   |                               |                                     |                              |                              |                              |                              |
| Crane left (In driving direction)   | Front mounted                 | Electromagnetic clutch<br>Powerpack | CCX011051411<br>CCX011041411 | CCX011051421<br>CCX011041421 | CCX011052413<br>CCX011042413 | CCX011052423<br>CCX011042423 |
| Crane right (In driving direction)  | Front mounted                 | Electromagnetic clutch<br>Powerpack | CCX011051311<br>CCX011041311 | CCX011051321<br>CCX011041321 | CCX011052313<br>CCX011042313 | CCX011052323<br>CCX011042323 |
| <b>FIAT DUCATO *** (150 Multijet 2)</b>                                   |                               |                                     |                              |                              |                              |                              |
| Crane left (In driving direction)   | Front mounted                 | Electromagnetic clutch<br>Powerpack | CCX011021411<br>CCX011041411 | CCX011021421<br>CCX011041421 | CCX011022413<br>CCX011042413 | CCX011022423<br>CCX011042423 |
| Crane right (In driving direction)  | Front mounted                 | Electromagnetic clutch<br>Powerpack | CCX011021311<br>CCX011041311 | CCX011021321<br>CCX011041321 | CCX011022313<br>CCX011042313 | CCX011022323<br>CCX011042323 |
| <b>FIAT DUCATO *** (180 Multijet 2)</b>                                   |                               |                                     |                              |                              |                              |                              |
| Crane left (In driving direction)   | Front mounted                 | Electromagnetic clutch<br>Powerpack | CCX011061411<br>CCX011041411 | CCX011061421<br>CCX011041421 | CCX011062413<br>CCX011042413 | CCX011062423<br>CCX011042423 |
| Crane right (In driving direction)  | Front mounted                 | Electromagnetic clutch<br>Powerpack | CCX011061311<br>CCX011041311 | CCX011061321<br>CCX011041321 | CCX011062313<br>CCX011042313 | CCX011062323<br>CCX011042323 |

\* Due to the same model of the vehicles, the order codes of the variants are equal. \*\* Minor adaptations possible at the factory flat bed.  
\*\*\* For the "Electromagnetic clutch" drive variant, an air conditioning system for the carrier vehicle is obligatory.

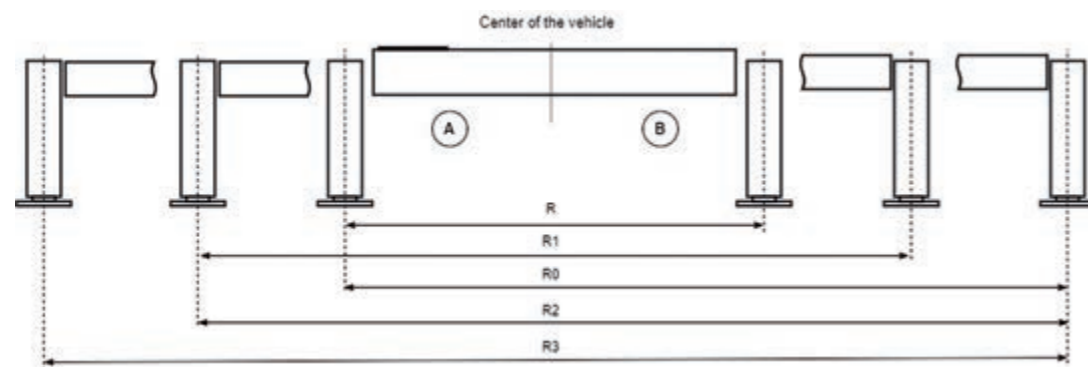
# STABILIZERS PC-CRANE CONFIGURATION POSSIBILITIES AND DIMENSIONS

- All support frames delivered in the EU must comply with EN12999.
- Cranes with load distribution less than 1000 kg or less than 40 kNm lifting torque (PC1500) do not need to be monitored for stability
- For non-EU countries the versions without CE conformity are still available and permissible

- Standard
- Optional
- Not available
- \* tiltable outrigger
- \*\* ex works base coated
- \*\*\* only in combination with STZS5



| OPTIONS                        | DESCRIPTION  | CODE  | BS008 PC1500 |        | BS008 PC2700 |        | BS010 |        | BS013 |        | BS014 |        |
|--------------------------------|--|-------|--------------|--------|--------------|--------|-------|--------|-------|--------|-------|--------|
|                                |  |       | CE           | Non-CE | CE           | Non-CE | CE    | Non-CE | CE    | Non-CE | CE    | Non-CE |
| Stability monitoring           | Step-by-step stability monitoring                  | ISC-S | ○            | ○      | ●            | ○      | ●     | ○      | ●     | ○      | ●     | ○      |
| Outrigger box                  | Manually extendable outrigger on one side          | RO    | ●*           | ●*     | ●*           | ●*     | ●     | ●      | --    | --     | ●     | ●      |
|                                | Manually extendable outrigger on both sides        | R...  | --           | --     | --           | --     | ○     | ○      | ○     | ○      | --    | --     |
| Cylinder Variant               | Stabilizer ram rigid, mounting above vehicle frame | STZS5 | ○            | ○      | ○            | ○      | ○     | ○      | ○     | ○      | ○     | ○      |
|                                | Stabilizer ram 60° manually tiltable               | STZY5 | --           | --     | --           | --     | ○     | ○      | ○     | ○      | ○     | ○      |
| Long version of stabilizer ram | 100 mm extension (only in combination with STZS5)  | STÜ06 | --           | --     | --           | --     | ○     | ○      | --    | --     | --    | --     |
|                                | 200 mm extension                                   | STÜ07 | ○            | ○      | ○            | ○      | ○***  | ○***   | ○     | ○      | ○     | ○      |
| Electric                       | Transport monitoring system outriggers             | AUSVW | ●            | ●      | ●            | ●      | ●     | ○      | ●     | ○      | ●     | ○      |
| Others                         | RAL 3020   | STD   | ●**          | ●**    | ●**          | ●**    | ●     | ●      | ●     | ●      | ●     | ●      |
| Mounting bolts                 | Mounting bolts for easy connection to the vehicle  | BRI   | --           | --     | --           | --     | ○     | ○      | ○     | ○      | ○     | ○      |



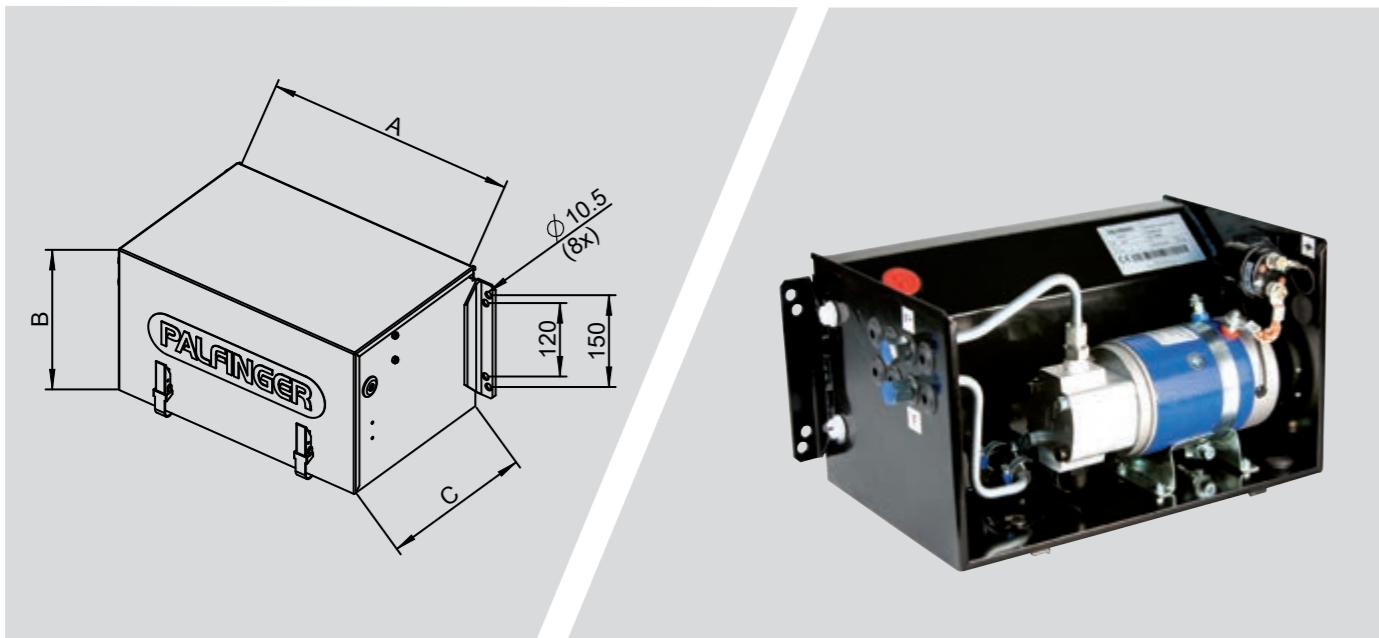
| Stabilizer | Crane Type      | Cylinder Variant | Weight [kg] |     |     |     |    | F <sub>max</sub> A / B [kN] |           |           |          |           | Dimensions [mm] |      |      |      |      |      |  |
|------------|-----------------|------------------|-------------|-----|-----|-----|----|-----------------------------|-----------|-----------|----------|-----------|-----------------|------|------|------|------|------|--|
|            |                 |                  | R           | R0  | R1  | R2  | R3 | R                           | R0        | R1        | R2       | R3        | R               | R0   | R1   | R2   | R3   |      |  |
| BS008      | PC 2700         | STZS5            | 78          |     |     |     |    | 31,2/-                      |           |           |          |           |                 |      |      |      |      |      |  |
|            | PC 1500         | STZS5 (STU07)    | 82          |     |     |     |    | 15,9/-                      |           |           |          |           |                 |      |      |      |      |      |  |
| BS010      | PC 3800         | STZS5            | 132         | 161 | 191 |     |    |                             |           |           |          |           |                 |      |      |      |      |      |  |
|            |                 | STZS5 (STU07)    | 144         | 174 | 203 |     |    | 55,4/41                     | 23,8/40,8 | 23,5/17,8 |          | 1688      | 2952            | 4216 |      |      |      |      |  |
|            |                 | STZY5            | 135         | 165 | 194 |     |    |                             |           |           |          |           |                 |      |      |      |      |      |  |
| BS013      | PC 2700 (STZS5) | STZS5            | 115         | 130 | 135 | 145 |    | 38,6/30                     |           |           | 24,4/19  | 17,1/18,7 | 17/13,2         |      |      |      |      |      |  |
|            | PC 1500 (STZS5) | STZS5 (STU07)    | 120         | 135 | 140 | 150 |    |                             |           |           |          |           |                 | 1726 |      | 2726 | 3326 | 3926 |  |
|            |                 | STZY5            | 120         | 135 | 140 | 150 |    | 21,2/14,3                   |           |           | 13,4/9,1 | 9,5/8,8   | 9,3/7,2         |      |      |      |      |      |  |
| BS014      | PC 2700         | STZS5            | 115         |     |     |     |    |                             |           |           |          |           |                 | 1726 | 2826 |      |      |      |  |
|            | PC 1500         | STZS5 (STU07)    | 120         |     |     |     |    |                             | 9,4/12,9  |           |          |           |                 |      |      |      |      |      |  |
|            |                 | STZY5            | 125         |     |     |     |    |                             | 16,7/27,6 |           |          |           |                 |      |      |      |      |      |  |
|            |                 | STZY5 (STU6)     | 130         |     |     |     |    |                             |           |           |          |           |                 |      |      |      |      |      |  |

# POWERPACKS FOR PC-CRANES

## A SUITABLE AGGREGATE FOR EACH PC – CRANE MODEL

- Creates hydraulic power without a PTO or EMC on the vehicle
- Simple and convenient "Plug & Play" mounting
- Splash-proof and dust-proof thanks to compact design (IP54)
- A suitable cable kit is available for each powerpack
- Operating time > 25 min

PALFINGER generally recommend to use a pump on PTO to drive a PC-Crane



## POWERPACKS FOR PC-CRANES

| Code    | on-board voltage [V] | Power [kW] | PC 1500 | PC 2700 | PC 3800 | Oil flow [l/min] |         | Tank volume [l] |
|---------|----------------------|------------|---------|---------|---------|------------------|---------|-----------------|
|         |                      |            |         |         |         | 100 bar          | 200 bar |                 |
| EP1980C | 12                   | 1,5        | •       | ○       | --      | 6,3              | 4,6     | 6               |
| EP1981B | 24                   | 1,5        | •       | ○       | --      | 6,5              | 5       | 6               |
| EP1983C | 12                   | 4          | --      | •       | ○       | 9                | 6,5     | 9               |
| EP1984C | 24                   | 4,5        | --      | •       | ○       | 9,6              | 7,3     | 9               |

Maximum system pressure 210 bar

• ... Suitable

○ ... Suitable, but reduced operating speed



## DIMENSIONS

| Code    | Length A [mm] | Height B [mm] | Depth C [mm] | Weight [kg] |
|---------|---------------|---------------|--------------|-------------|
| EP1980C | 400           | 231           | 280          | 18,7        |
| EP1981B | 400           | 231           | 280          | 18,7        |
| EP1983C | 445           | 235           | 335          | 24,5        |
| EP1984C | 445           | 235           | 335          | 24,5        |

## CABLE KIT

| Code     | Description                        | Suitable for        |
|----------|------------------------------------|---------------------|
| EEA9835A | Cable kit 6 m - 35 mm <sup>2</sup> | EP1981B             |
| EEA9847A | Cable kit 6 m - 50 mm <sup>2</sup> | *                   |
| EEA9836A | Cable kit 6 m - 70 mm <sup>2</sup> | EP1980C / EP1984C * |
| EEA9848A | Cable kit 6 m - 95 mm <sup>2</sup> | EP1983C *           |

\* If the cable kit is shortened to 4 m, the next smaller cable cross section can be used

## ATTENTION

- The unit is not suitable for continuous operation
- Observe the vehicle specifications. The electrical system must not be overloaded
- Use the strongest available alternator and battery - second battery is recommended
- Operation of the unit only with the engine running
- Winch operation is not possible

# PALFINGER CUSTOMIZED SUBFRAMES

Individual PALFINGER subframes adapted to any crane-truck combination to get the most out of stiffness and weight for optimal crane performance and vehicle stability. All frames are made of high-quality fine-grained steel and can be installed quick and easy.



For further information please contact your local PALFINGER partner or responsible Area Sales Manager.

## SEMI-OPEN SUBFRAMES WITHOUT ADDITIONAL STABILIZERS



- For rear mounted cranes < 30 mt
- Lightweight design
- Warp-resistant features below the crane - warp-soft features below the platform

## CLOSED SUBFRAMES WITHOUT ADDITIONAL STABILIZERS



- For cranes < 30 mt
- Warp-resistant design

## CLOSED SUBFRAMES WITH ADDITIONAL STABILIZERS



- For cranes > 30 mt
- Warp-resistant design
- Preparation for PALFINGER additional stabilizers
- Integrated container locks optional

## CLOSED SUBFRAMES FOR INTEGRAL CRANE BASE



- For cranes > 60 mt
- Warp-resistant design
- Optional with preparation for fifth wheel installation

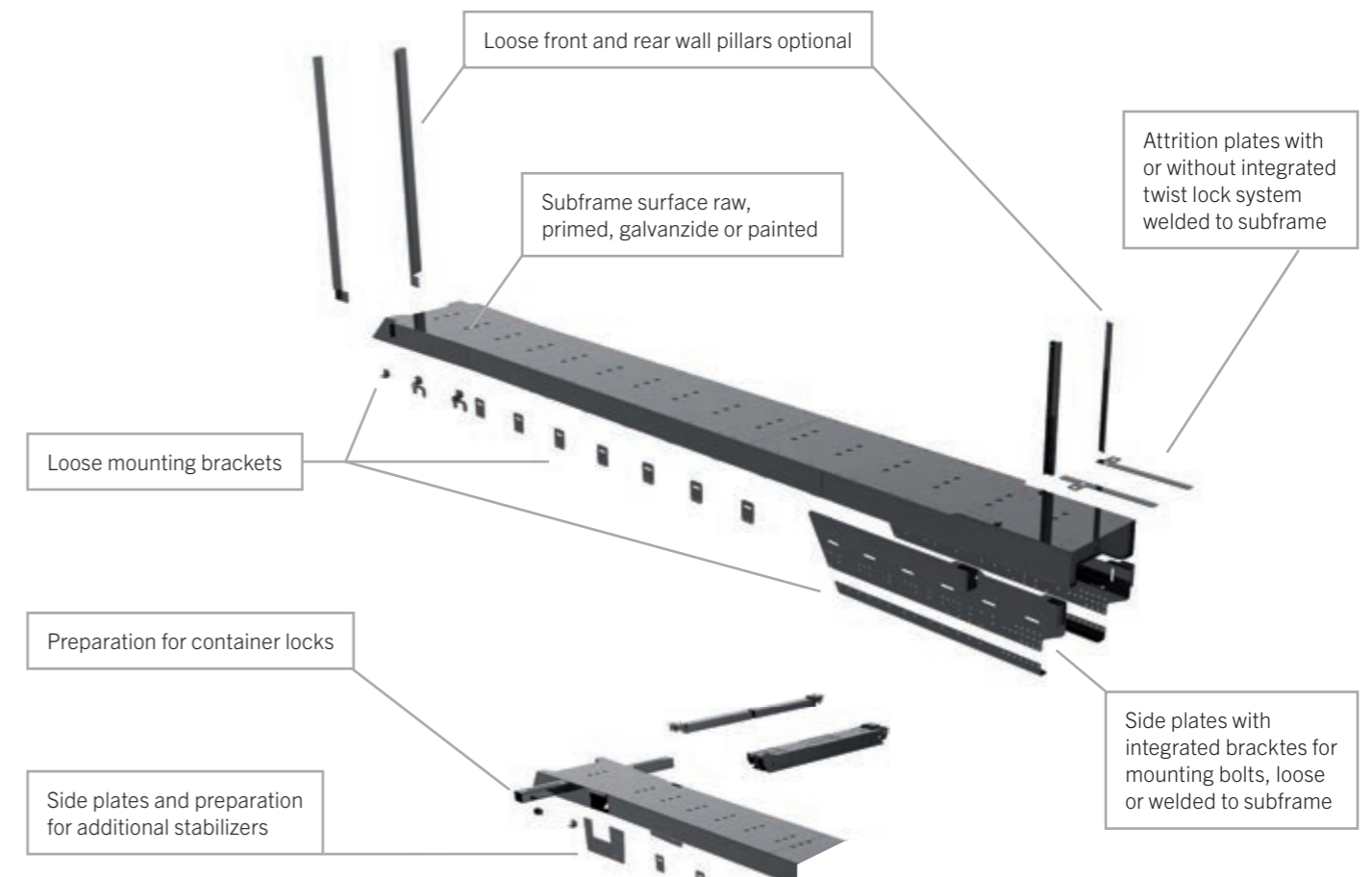
# SUBFRAME SPECIFICATION

Customized subframes can be ordered from the PALFINGER Mounting Competence Center by specification of the following parameters:

- Truck FIN- or order-number
- Vehicle specification and drawings
- Crane model
- Position of the crane
- Additional stabilizers model
- Position of the additional stabilizers
- Special equipment (e.g. container locks, fifth wheel, trailer coupling,...)



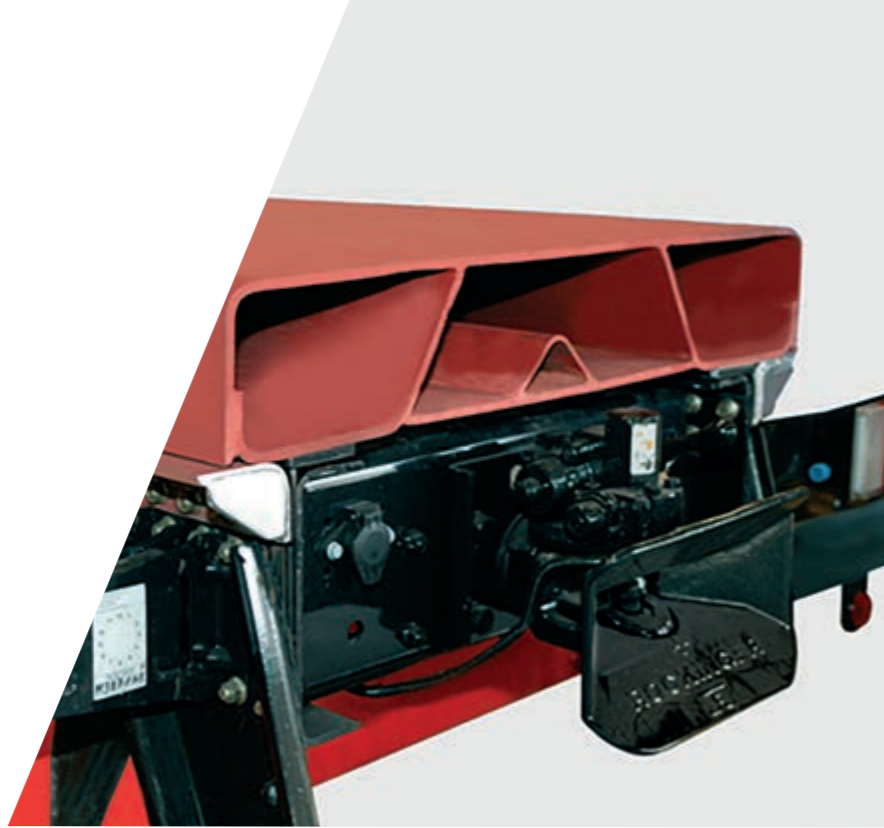
## SUBFRAME OPTIONS





# PALFINGER STANDARD SUBFRAMES

- Improved installation quality by using prefabricated modules
- All frames are supplied prime coated for transport
- Manufactured from fine-grained steel S690
- Ideally combined with the PALFINGER L-form side plates and the PALFINGER brackets



# PALFINGER CUSTOMIZED PLATFORMS

- Customized top mounted platform for self-assembly
- Numerous options of platform design and load securing for the transportation of any goods
- Low loading height due to adapted cutouts for mudguards



## PALFINGER SUBFRAME MODULES

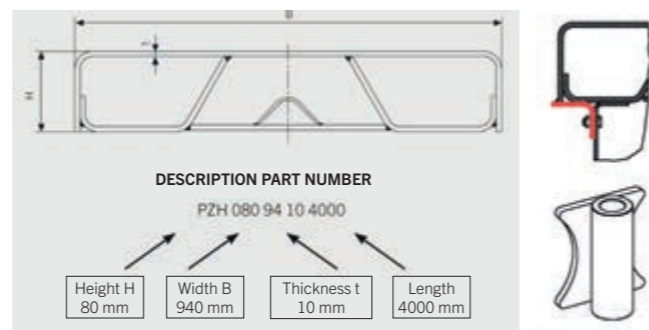
| Code            | Height [mm] | Length [mm] | Weight [kg] |
|-----------------|-------------|-------------|-------------|
| PZH0809410+4000 | 80          | 4000        | 684         |
| PZH0809410+6000 | 80          | 6000        | 1026        |
| PZH0809412+4000 | 80          | 4000        | 808         |
| PZH0808510+4000 | 80          | 4000        | 624         |
| PZH0808510+6000 | 80          | 6000        | 936         |
| PZH0808512+4000 | 80          | 4000        | 740         |
| PZH1209410+4000 | 120         | 4000        | 808         |
| PZH1209410+6000 | 120         | 6000        | 1212        |
| PZH1209412+4000 | 120         | 4000        | 956         |
| PZH1208510+4000 | 120         | 4000        | 716         |
| PZH1208510+6000 | 120         | 6000        | 1074        |
| PZH1208512+4000 | 120         | 4000        | 852         |
| PZH1609410+4000 | 160         | 4000        | 868         |
| PZH1609410+6000 | 160         | 6000        | 1302        |
| PZH1609412+4000 | 160         | 4000        | 1024        |
| PZH1608510+4000 | 160         | 4000        | 808         |
| PZH1608510+6000 | 160         | 6000        | 1215        |
| PZH1608512+4000 | 160         | 4000        | 952         |
| PZH1608512+6000 | 160         | 6000        | 1428        |
| PZH2009410+4000 | 200         | 4000        | 924         |
| PZH2009410+6000 | 200         | 6000        | 1386        |
| PZH2008510+4000 | 200         | 4000        | 864         |
| PZH2008510+6000 | 200         | 6000        | 1296        |
| PZH2509410+4000 | 250         | 4000        | 996         |
| PZH2509410+6000 | 250         | 6000        | 1494        |
| PZH2508510+4000 | 250         | 4000        | 936         |
| PZH2508510+6000 | 250         | 6000        | 1404        |

## ADVANTAGES

- Weight optimized
- Reduced installation costs
- Low construction height
- High torsional rigidity

## PALFINGER FRAME ACCESSORIES

| Component                 | Code           | Weight [kg] |
|---------------------------|----------------|-------------|
| Side plate length 4000 mm | <b>HA8063</b>  | 56          |
| Bracket M20               | <b>HXE4534</b> | 1,1         |
| Bracket M24               | <b>HXE3144</b> | 2           |
| Bracket M30               | <b>HXE3145</b> | 2,3         |
| Bracket M36               | <b>HXE9084</b> | 4,2         |
| Bracket M42               | <b>HXE2527</b> | 7,8         |
| Bracket M48               | <b>HXE4514</b> | 15,8        |



For further information please contact your local PALFINGER partner or responsible Area Sales Manager.



## TECHNICAL DATA

- Platform for installation on the subframe
- Border profile made of steel, 160mm high, campfered 45° with lashing holes every 280mm, sandplasted, primed and painted
- Platform floor made of 27mm plywood panels, impregnated and sealed
- 3 side walls per side, made of 25mm aluminium anodized, foldable and removable
- Front wall steel frame primed and painted, covered with 25mm aluminium anodized profiles
- Rear wall made of 25mm aluminium anodized, foldable and removable with 2 rear wall racks for horizontal rest
- Kinnegrip wall locks

## OPTIONS

- Platform length 6200mm, 6600mm or 7000mm
- Platform width 2550mm or 2600mm
- 3, 5 or 7 lashing ladders in platform floor
- Platform floor made of aluminium natural
- Multifunctional front wall with pole stowage
- Multifunctional front wall with manual extensions
- Side wall height 600mm or 800mm
- Kinnegrip wall locks K20 or K5, microgalvanized and painted or aluminium anodized
- 2 or 4 foldable steps in side walls
- Additional door in side walls
- Forklift side-protection
- Cutouts for the attachment of mudguards
- Holder for mudguards

Other lengths up to 8000 mm are available on request.

# MOUNTING BOLTS

- Delivered before the crane to accelerate the overall mounting process.
- Examined and tested by PALFINGER
- Ideally compatible with PALFINGER crane models
- The best possible introduction of the force into the sub- and vehicle frame
- High-strength steel
- For the best possible mounting of the crane on the vehicle

**Attention:** In order to avoid double delivery with the separate ordering of the mounting bolts, BRI must NOT be selected in the crane configuration.

## PK-MODELS

| Crane model  | BRI-4      | BRI-4B     | BRI-8      | BRI-8B     |
|--------------|------------|------------|------------|------------|
| PK 9002 EH   |            |            |            |            |
| PK 10002 SH  | KVZ00060A  | KVZ00062A  | KVZ00056A  | KVZ00061A  |
| PK 12002 EH  |            |            |            |            |
| PK 12502 SH  |            |            |            |            |
| PK 14002 EH  | UZ144S     | UZ346S     | UZ140S     | UZ345S     |
| PK 14502 SH  |            |            |            |            |
| PK 18002 EH  |            |            |            |            |
| PK 18502 SH  |            |            |            |            |
| PK 22002 EH  |            |            |            |            |
| PK 23002 SH  |            |            |            |            |
| PK 26002 EH  |            |            |            |            |
| PK 27002 SH  | UZ017S     | UZ343S     | UZ018S     | UZ344S     |
| PK 27001 EH  |            |            |            |            |
| PK 33002 EH  |            |            |            |            |
| PK 34002 SH  |            |            |            |            |
| PK 40002 EH  | KVZ00059AS | KVZ00063AS | KVZ00057AS | KVZ00058AS |
| PK 41002 MH  | UZ362S     | UZ363S     | UZ360S     | UZ361S     |
| PK 41002 EH  |            |            |            |            |
| PK 42002 SH  | KVZ00059AS | KVZ00063AS | KVZ00057AS | KVZ00058AS |
| PK 48002 MH  | UZ362S     | UZ363S     | UZ360S     | UZ361S     |
| PK 48002 EH  |            |            |            |            |
| PK 50002 EH  |            |            |            |            |
| PK 53002 SH  | KVZ00059AS | KVZ00063AS | KVZ00057AS | KVZ00058AS |
| PK 62002 EH  |            |            |            |            |
| PK 63002 EH  |            |            |            |            |
| PK 65002 MH  |            |            |            |            |
| PK 65002 SH  | UZ235S     | UZ340S     | UZ131S     | UZ339S     |
| PK 76002 EH  |            |            |            |            |
| PK 78002 SH  |            |            |            |            |
| PK 92002 SH  |            |            |            |            |
| Crane model  | BRI-6      |            | BRI-6B     |            |
| PK 110002 SH | UZ364S     | UZ365S     |            |            |

| Crane model       | BRI-3      | BRI-3B     | BRI-6      | BRI-6B     |
|-------------------|------------|------------|------------|------------|
| PK 5.001 SLD 1/3  |            |            |            |            |
| PK 5.501 SLD 5    |            |            |            |            |
| PK 7.001 SLD 1/3  | UZ011S     | UZ347S     | UZ165S     | UZ348S     |
| PK 7.001 K SLD 3  |            |            |            |            |
| PK 7.501 SLD 5    |            |            |            |            |
| PK 7.501 K SLD 5  |            |            |            |            |
| Crane model       | BRI-4      | BRI-4B     | BRI-8      | BRI-8B     |
| PK 8.501 SLD 1/3  |            |            |            |            |
| PK 9.501 SLD 5    |            |            |            |            |
| PK 11.001 SLD 1/3 |            |            |            |            |
| PK 12.001 SLD 3   |            |            |            |            |
| PK 12.501 SLD 5   |            |            |            |            |
| PK 13.501 SLD 1/3 | UZ144S     | UZ346S     | UZ140S     | UZ345S     |
| PK 13.501 K SLD 3 |            |            |            |            |
| PK 14.501 SLD 5   |            |            |            |            |
| PK 14.501 K SLD 5 |            |            |            |            |
| PK 17.001 SLD 1/3 |            |            |            |            |
| PK 19.001 SLD 5   |            |            |            |            |
| Crane model       | BRI-4      | BRI-4B     | BRI-8      | BRI-8B     |
| PK 21.501 SLD 1/3 | UZ017S     | UZ343S     | UZ018S     | UZ344S     |
| PK 24.001 SLD 5   |            |            |            |            |
| PK 28.002 TEC 5   | KVZ00080AS | KVZ00082AS | KVZ00081AS | KVZ00083AS |
| PK 28.502 TEC 5   | KVZ00084AS | KVZ00086AS | KVZ00085AS | KVZ00087AS |
| PK 29.502 TEC 7   | KVZ00080AS | KVZ00082AS | KVZ00081AS | KVZ00083AS |
| PK 30.002 TEC 7   | KVZ00084AS | KVZ00086AS | KVZ00085AS | KVZ00087AS |
| PK 35.002 TEC 5   | KVZ00080AS | KVZ00082AS | KVZ00081AS | KVZ00083AS |
| PK 35.502 TEC 5   | KVZ00084AS | KVZ00086AS | KVZ00085AS | KVZ00087AS |
| PK 36.502 TEC 7   | KVZ00080AS | KVZ00082AS | KVZ00081AS | KVZ00083AS |
| PK 37.002 TEC 7   | KVZ00084AS | KVZ00086AS | KVZ00085AS | KVZ00087AS |
| PK 45.002 TEC 5   |            |            |            |            |
| PK 48.002 TEC 7   |            |            |            |            |
| PK 55.002 TEC 5   | KVZ00072AS | KVZ00073AS | KVZ00070AS | KVZ00071AS |
| PK 58.002 TEC 7   |            |            |            |            |
| Crane model       | BRI-6      |            | BRI-6B     |            |
| PK 135.002 TEC 7  | KVZ00074A  | KVZ00075A  |            |            |

## L & EL-MODELS

| Crane model | BRI-4  | BRI-4B | BRI-8  | BRI-8B |
|-------------|--------|--------|--------|--------|
| PK 12001 L  | --     | --     | UZ366  | UZ367  |
| PK 15001 L  |        |        |        |        |
| PK 25001 EL | UZ290S | UZ341S | UZ266  | UZ351S |
| PK 27001 EL |        |        | UZ148S | --     |
| PK 35001 EL |        |        |        |        |
| PK 40001 EL | UZ138S | UZ353S | --     | --     |

| Crane model       | BRI-4  | BRI-4B | BRI-8  | BRI-8B |
|-------------------|--------|--------|--------|--------|
| PK 18.001 L TEC 3 | UZ144S | UZ346S | UZ366  | UZ367  |
| PK 20.501 L TEC 3 |        |        |        |        |
| PK 22.001 L TEC 7 |        |        |        |        |
| PK 23.001 L TEC 3 | UZ373S | UZ374S | UZ371S | UZ372S |
| PK 26.001 L TEC 7 |        |        |        |        |

## T - MODELS

| Crane model  | BRI-4  | BRI-4B | BRI-8  | BRI-8B |
|--------------|--------|--------|--------|--------|
| PK 13500T    |        |        |        |        |
| PK 15500T EH | UZ144S | UZ346S | UZ140S | UZ345S |
| PK 17500T    |        |        |        |        |
| PK 19500T EH |        |        |        |        |

## PW - MODELS

| Crane model | BRI-4  | BRI-4B | BRI-8  | BRI-8B |
|-------------|--------|--------|--------|--------|
| PW 32001    |        |        |        |        |
| PW 35001 SH |        |        |        |        |
| PW 38001    | UZ373S | UZ374S | UZ371S | UZ372S |
| PW 38001EL  |        |        |        |        |
| PW 42001 SH |        |        |        |        |
| PW 50001 SH |        |        |        |        |

## ADDITIONAL STABILIZERS PC-CRANE

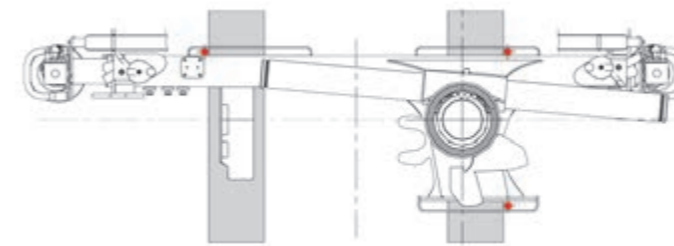
| Stabilizers | BRI-6 | BRI-6B | BRI-8B | BRI-8 |
|-------------|-------|--------|--------|-------|
| BS009       | UZ325 | UZ352  | --     | --    |
| BS010       | --    | --     | UZ357  | UZ356 |
| BS013       | --    | --     | UZ357  | UZ356 |
| BS014       | UZ325 | UZ352  | --     | --    |

## PC-CRANES

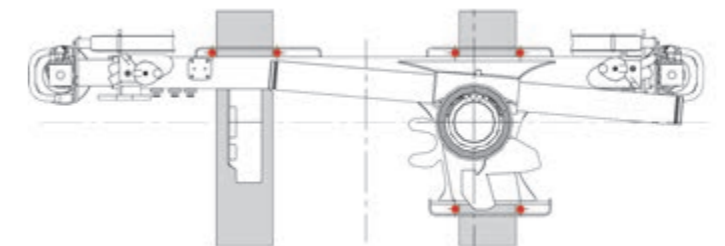
| Crane model | BRI-4     | BRI-4B | BRI-8 | BRI-8B |
|-------------|-----------|--------|-------|--------|
| PC 900      | --        | --     | --    | --     |
| PC 1500     |           |        |       |        |
| PC 2700     | KMG02436A | --     | --    | --     |
| PC 3800     |           |        |       |        |

BRI-3 ... 8 ... Number of mounting positions  
 BRI-3B ... 8B ... Number of mounting positions, mounting bolts coated  
 -- ... no kit available

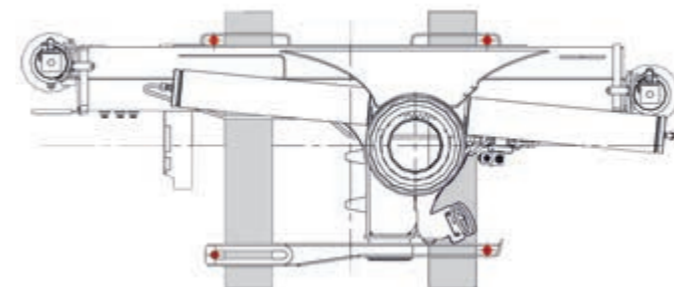
BRI-3 / BRI-3B



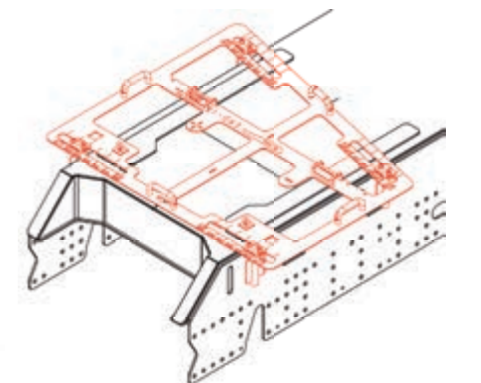
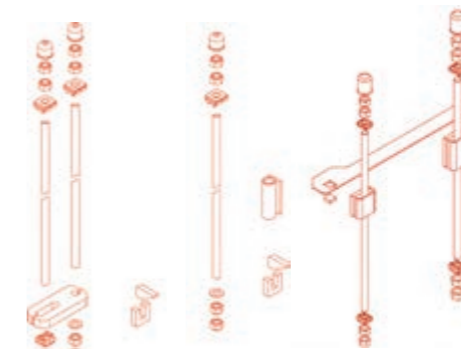
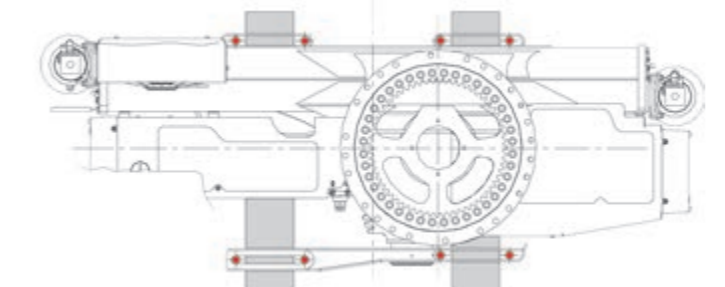
BRI-6 / BRI-6B



BRI-4 / BRI-4B



BRI-8 / BRI-8B



All kits contain the required bolts, nuts, washers, twist locks, brackets and protective caps  
 The components of the twist lock differ according to the conventional and the new TEC-crane anti twist lock!

The assembly devices EKD 161 and EKD 165 for the new TEC-crane twist lock can be ordered via the PALFINGER Tools Catalog.

# TOOLBOXES

## STAINLESS STEEL / STEEL / PLASTIC

- ECE certified R73
- Highest product quality and comfort
- High-quality optics
- Optimal corrosion protection
- Available in stainless steel, steel and plastic
- Variety of available dimensions
- Easy mounting by optional brackets



### TOOLBOX - STAINLESS STEEL

| Code   | Length A [mm] | Height B [mm] | Depth C [mm] | Weight [kg] | Locks | Bracket |
|--------|---------------|---------------|--------------|-------------|-------|---------|
| EZ7001 | 600           | 400           | 500          | 22,0        | 1     | EZ6998  |
| EZ7002 | 800           | 500           | 500          | 30,5        | 1     | EZ6998  |
| EZ7003 | 1000          | 500           | 500          | 36,0        | 1     | EZ6998  |
| EZ7004 | 1200          | 500           | 500          | 42,0        | 2     | EZ6998  |
| EZ7006 | 800           | 600           | 600          | 37,7        | 1     | EZ6999  |
| EZ7007 | 1000          | 600           | 600          | 44,2        | 1     | EZ6999  |
| EZ7008 | 1200          | 600           | 600          | 51,0        | 2     | EZ6999  |

### TOOLBOX - STEEL\*

| Code   | Length A [mm] | Height B [mm] | Depth C [mm] | Weight [kg] | Locks | Bracket |
|--------|---------------|---------------|--------------|-------------|-------|---------|
| EZ6981 | 600           | 400           | 500          | 22,0        | 1     | EZ6996  |
| EZ6982 | 800           | 500           | 500          | 30,5        | 2     | EZ6996  |
| EZ6983 | 1000          | 500           | 500          | 36,0        | 2     | EZ6996  |
| EZ6984 | 1200          | 500           | 500          | 42,0        | 2     | EZ6996  |
| EZ6986 | 800           | 600           | 600          | 37,7        | 2     | EZ6997  |
| EZ6987 | 1000          | 600           | 600          | 44,2        | 2     | EZ6997  |
| EZ6988 | 1200          | 600           | 600          | 51,0        | 2     | EZ6997  |

### TOOLBOX - PLASTIC

| Code   | Length A [mm] | Height B [mm] | Depth C [mm] | Weight [kg] | Locks | Bracket |
|--------|---------------|---------------|--------------|-------------|-------|---------|
| EZ7288 | 480           | 400           | 400          | 5,0         | 1     | EZ7442  |
| EZ7289 | 630           | 450           | 480          | 8,0         | 2     | EZ7443  |
| EZ7290 | 680           | 500           | 500          | 6,5         | 2     | --      |
| EZ7291 | 830           | 500           | 470          | 10,5        | 2     | EZ7443  |
| EZ7292 | 1030          | 500           | 455          | 13,0        | 3     | EZ7443  |
| EZ7293 | 1250          | 524           | 500          | 15,5        | 3     | EZ7443  |

### PLASTIC FIRE EXTINGUISHER BOX - PLASTIC

| Code   | Length A [mm] | Height B [mm] | Depth C [mm] | Weight [kg] | Extinguisher [kg] |
|--------|---------------|---------------|--------------|-------------|-------------------|
| EZ7444 | 611           | 310           | 250          | 3,5         | 6                 |

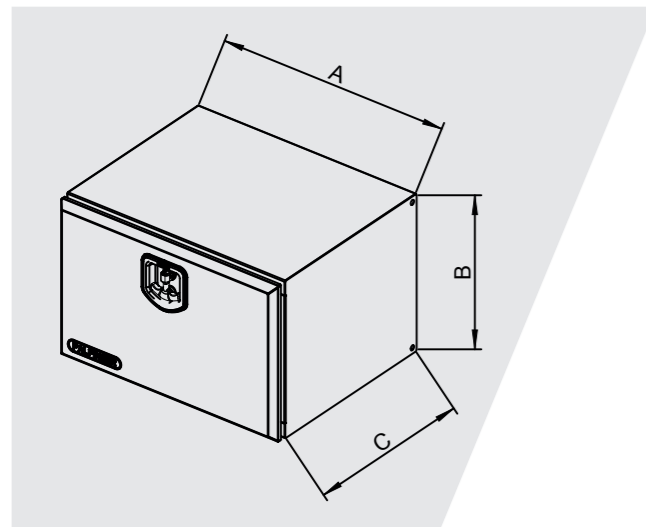
Fire extinguisher not included

### TOOLBOX - BRACKETS

| Code   | Material        | Strength [mm] | Length [mm] | Height [mm] | Weight [kg] |
|--------|-----------------|---------------|-------------|-------------|-------------|
| EZ6999 | stainless steel | 2,5           | 520         | 205,0       | 4,2         |
| EZ6998 | stainless steel | 2,5           | 420         | 160,0       | 2,8         |
| EZ6997 | steel*          | 4             | 520         | 205         | 6,5         |
| EZ6996 | steel*          | 3             | 420         | 160         | 3,5         |
| EZ7442 | steel*          | 2             | 340         | 150         | 3,0         |
| EZ7443 | steel*          | 3             | 410         | 190         | 4,6         |

\* powder coated (RAL9005)

### CERTIFIED AS SIDE UNDERRIDE PROTECTION! ECE CERTIFIED – R 73



**Stainless steel – cover polished**  
Lock: stainless steel



**Steel galvanized and powder coated Black RAL 9005**  
Lock: plastic

**Polypropylene**  
Lock: Plastics



### TECHNICAL DETAILS

#### Stainless steel / Steel

- Certified as side protection ECE-R73
- Gas pressure absorber
- Breath filter
- High quality anti-slip plastic
- Lockable (2 keys)
- Splash proofed
- Lid opening downwards - max. 90°
- sheet thickness 1,5mm

#### Plastic

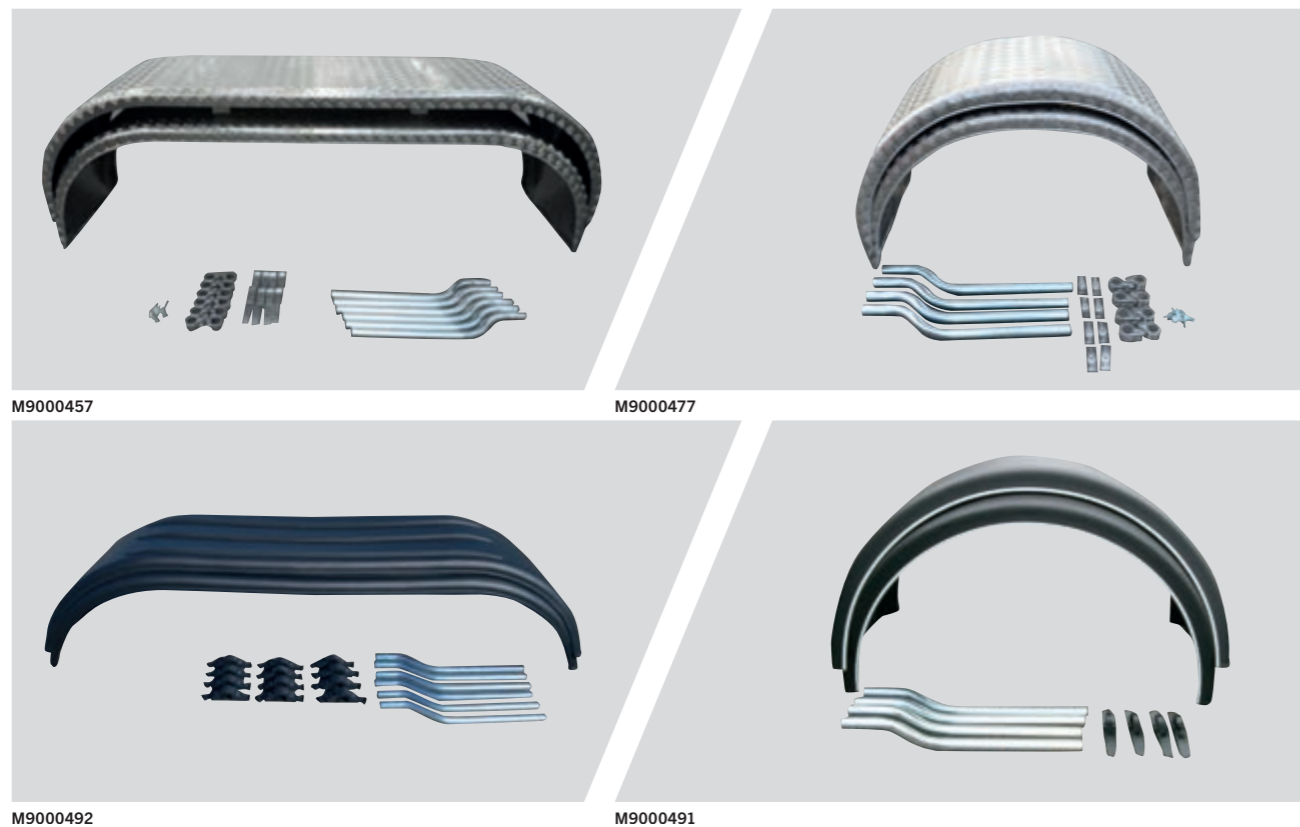
- Certified as side protection ECE-R73
- Extremely robust (shock resistant)
- Highest material quality
- High UV resistance
- Lockable (2 keys)

# MUDGUARDS

No complicated searching and browsing in various catalogues.  
With the PALFINGER mudguard kit you receive all required components uncomplicated - with only one number!



## KIT



| Kit                             | Code     | Width [mm] | Length [mm] |
|---------------------------------|----------|------------|-------------|
| Kit 2 axles aluminium mudguards | M9000457 | 650        | 2700        |
| Kit 1 axle aluminium mudguards  | M9000477 | 650        | 1280        |
| Kit 2 axles plastic mudguards   | M9000492 | 650        | 2700        |
| Kit 1 axle plastic mudguards    | M9000491 | 650        | 1280        |

## SINGLE PARTS



All kit components can of course also be ordered separately.

| Component  | Code      | Width B [mm] | Length S [mm] | Radius R [mm] | Height H [mm] |
|--|-----------|--------------|---------------|---------------|---------------|
| 2 axle aluminum mudguard                                 | M62010621 | 650          | 2700          | 650           | 680           |
| 1 axle aluminum mudguard                                 | M62010622 | 650          | 1300          | 650           | 680           |
| 2 axle plastic mudguard                                  | M62010736 | 650          | 2670          | 635           | 620           |
| 1 axle plastic mudguard                                  | M62010179 | 650          | 1340          | 670           | 715           |
| Tube mounting kit for aluminum mudguard                  | M9000501  | Ø42          | 760           | --            | --            |
| Tube mounting kit for plastic mudguard                   | M9000502  | Ø42          | 760           | --            | --            |
| Bracket for mounting tube                                | EFA 307   | --           | --            | --            | --            |
| Aluminum separation 2 axles (for wheel base 1350-1450mm) | M9000755  | --           | 1250          | --            | 620           |
| PALFINGER mudflap 600x900mm                              | EFA 206   | --           | 600           | --            | 900           |
| PALFINGER mudflap 600x700mm                              | EFA 207   | --           | 600           | --            | 700           |

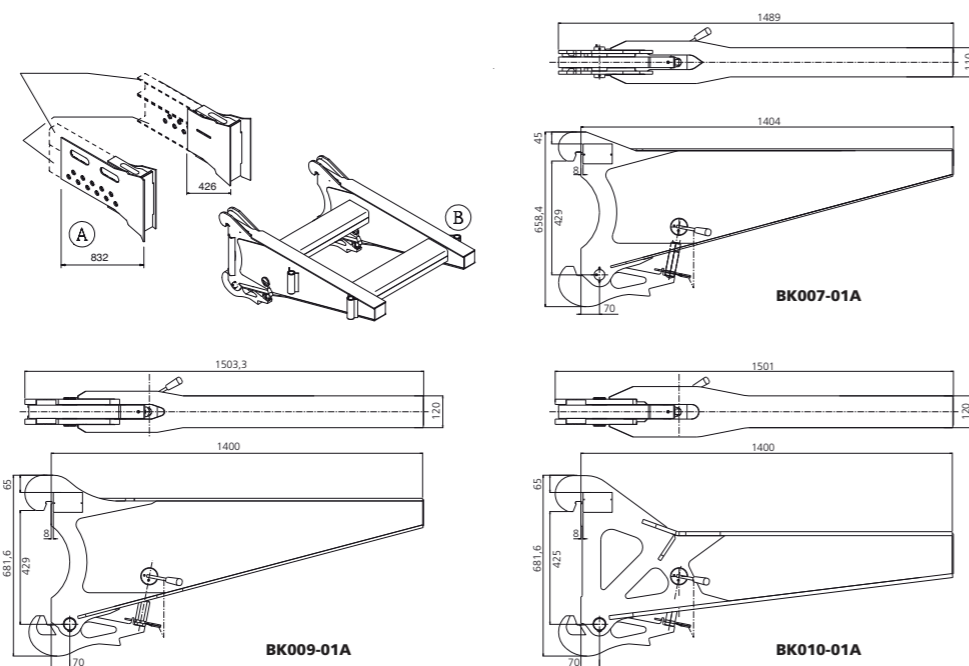
# REAR DEMOUNTABLE BRACKETS

- Can be mounted to all kinds of vehicles
- The manual locking mechanism allows a coupling and decoupling within just a few minutes
- Full payload with decoupled crane possible
- Specially designed for the PALFINGER loader crane (PALFINGER Forestry and recycling cranes on request)



| Code    | Bracket                  | Quantity pcs | max. crane lifting moment | Weight [kg]        |
|---------|--------------------------|--------------|---------------------------|--------------------|
| BK007A  | BKA007-01A               | 2            | 119 kNm<br>12,1 mt        | (A) 120<br>(B) 204 |
| BK008A* | BKA007-01A<br>BKA009-01A | 1<br>1       | 244 kNm<br>24,9 mt        | (A) 142<br>(B) 236 |
| BK009A  | BKA009-01A               | 2            | 244 kNm<br>24,9 mt        | (A) 164<br>(B) 268 |
| BK010A  | BKA010-01A               | 2            | 244 kNm<br>24,9 mt        | (A) 164<br>(B) 326 |

\* For crane mounting where center of gravity outside the center

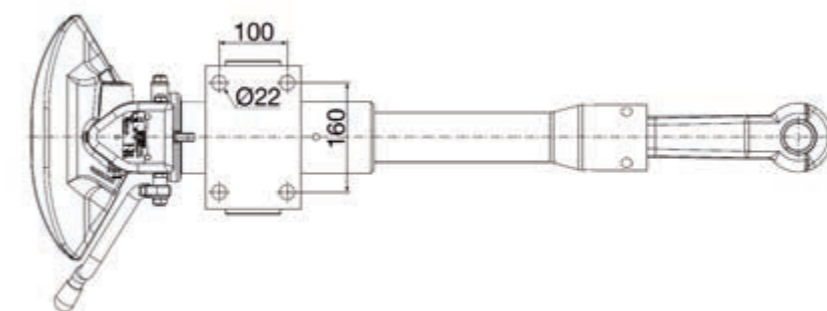
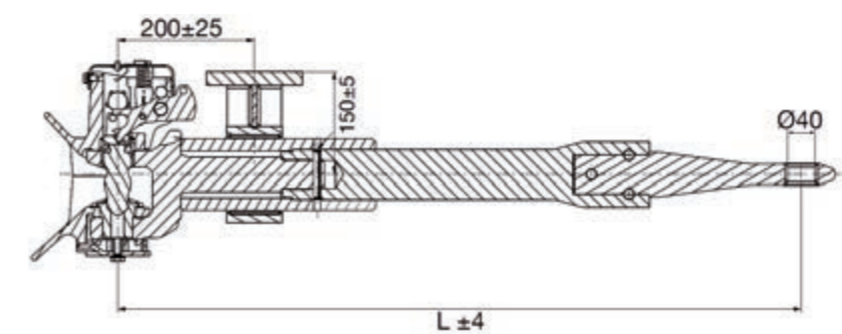


# EXTENSION COUPLINGS

- High-quality friction-spring coupling
- For mounting on the rear demountable console
- Easy installation
- Extremely resistant dome muzzle



| Code     | Length L [mm] | Weight [kg] | D-Value [kN] | Dc-Value [kN] | V-Value [kN] | Admiss. Supporting load [kg] | ECE type approval |
|----------|---------------|-------------|--------------|---------------|--------------|------------------------------|-------------------|
| PZBK02-B | 875           | 61,5        |              |               |              |                              |                   |
| PZBK02-C | 1000          | 65,5        | 120          | 92            | 35           | 1000                         | E11 55R-018313    |
| PZBK02-D | 1150          | 70,5        |              |               |              |                              |                   |
| PZBK02-E | 1300          | 76          |              |               |              |                              |                   |



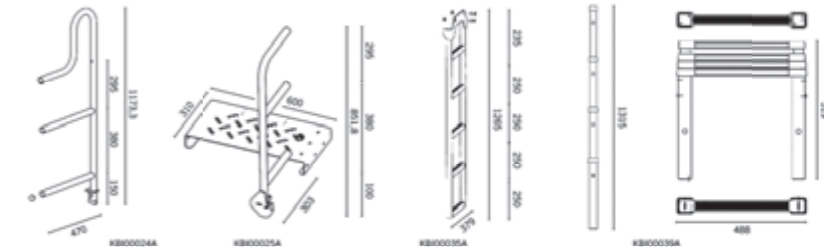
# LATERAL PROTECTION DEVICES

- All required items can be order comfortably with only one article number
- Available in fixed or folding version
- ECE-certified
- The profile shape can be combined perfectly with the PALFINGER reflector tape (p. 61)

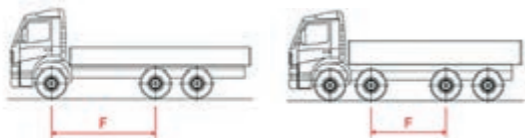


# ACCESSORIES FOR HIGH STAND

- Guard rails for modification to rear mounting
- To close a possible gap between the crane and the driver's cabin, the standing platform can be extended
- The standing platform and the railing can be individually adapted onsite
- A loose ladder is available for the new high stand, the assembling to the high stand will be done by the body builder using the actual construction situation
- Telescopic rails for easy access and optimum working protection



## KIT IS CERTIFIED ACCORDING TO LAST CURRENT DIRECTIVES ECE-R73

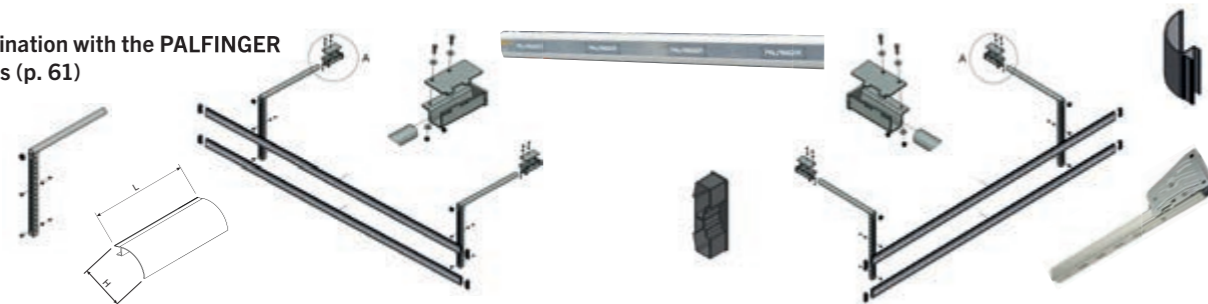


## FIXED SIDE UNDERRIDE PROTECTION KIT

| Code     | Length [m] | Quantity brackets | Quantity profiles | Quantity profile brackets | Wheelbase F [mm] |
|----------|------------|-------------------|-------------------|---------------------------|------------------|
| M9000400 | 3,5        | 4                 | 4                 | 4                         | 3901 - 5000      |
| M9000401 | 5          | 4                 | 2                 | 4                         | < 3900           |
| M9000402 | 5          | 6                 | 4                 | 6                         | > 5000           |

The kit includes the parts for BOTH sides of the vehicle.

Ideal for combination with the PALFINGER reflective tapes (p. 61)



| Component  | Code      |
|--|-----------|
| Profile bracket fixed including fixing material  | M9000424  |
| Profile bracket foldable without fixing material | EFA 133   |
| Aluminium profile 3,5 m                          | M62010651 |
| Aluminium profile 5 m                            | M62010652 |
| Fixation bracket right                           | M9000500  |
| Fixation bracket left                            | M9000423  |
| Rear end (straight)                              | M62010616 |
| Rear end - Angle profile H = 100 mm, L = 100 mm  | M62010615 |
| Rear end - Angle profile H = 100 mm, L = 500 mm  | M62010714 |

## TECHNICAL DATA

| Code      | Component           | Weight [kg] |
|-----------|---------------------|-------------|
| KBI00024A | Railing             | 8           |
| KBI00025A | Additional platform | 16          |
| KBI00035A | Access ladder       | 10          |
| KBI00039A | Telescopic railing  | 5           |

# MISCELLANEOUS

## TAIL LIGHT BRACKET

- Quick and easy fixing on the vehicle frame
- Mounting possibility for tail lights, anti-spray mats and rear markings



| Component                 | Code      |
|---------------------------|-----------|
| Tail light protection     | HA13836   |
| Tail light bracket        | M9000481  |
| Reflective tape EC White  | M62010725 |
| Reflective tape EC Red    | M62010724 |
| Reflective tape EC Yellow | M62010722 |

## TAIL LIGHT PROTECTION

- Optimum protection of the tail light
- Made of 3mm steel flap
- Optimal corrosion protection KTL-coating
- For standard rear lights MAN, Mercedes Benz, Scania and Volvo
- 2 pieces included in kit



## CE REFLECTIVE TAPE



# LIGHTING COMPONENTS

- More visible and safer at any time of the day or night
- Increased attention due to visual stimuli
- More efficient work in the dark
- Efficient LED lighting is more environmentally friendly and saves costs
- Long service life of the LED lighting
- Proven components from the PALFINGER factory mounting (MCC)
- Durable and appealing design

## WORK LIGHTS



### TECHNICAL DATA

| LED Work Light Scorpius N4402 | LED Work Light Scorpius Go 420 | LED Work Light Flush Mount KL1302 | LED Work Light KL1001 | LED Reverse Light Scorpius Go 410 |
|-------------------------------|--------------------------------|-----------------------------------|-----------------------|-----------------------------------|
|-------------------------------|--------------------------------|-----------------------------------|-----------------------|-----------------------------------|

| Order Code                | EEA11854                      | EEA14958                      | EEA12907                     | EEA13621                     | EEA15761                      |
|---------------------------|-------------------------------|-------------------------------|------------------------------|------------------------------|-------------------------------|
| Operational Lumens Output | 4200 lm                       | 1800 lm                       | 1500 lm                      | 1000 lm                      | 1000 lm                       |
| Colour Temperature        | 5700 K                        | 5000 K                        | 5700 K                       | 5700 K                       | 5000 K                        |
| Nominal Voltage           | 12 - 24 V                     | 12 - 24 V                     | 12 - 24 V                    | 12 - 24 V                    | 12 - 24 V                     |
| Input Voltage             | 9 - 32 V                      | 9 - 32 V                      | 9 - 32 V                     | 9 - 32 V                     | 9 - 32 V                      |
| Power Consumption         | 50 W                          | 28 W                          | 24 W                         | 24 W                         | 16 W                          |
| Nominal Current at        | 24 V = 2,1 A<br>12 V = 4,2 A  | 24 V = 1,0 A<br>12 V = 1,8 A  | 24 V = 1,0 A<br>12 V = 2,0 A | 24 V = 1,0 A<br>12 V = 2,0 A | 24 V = 0,6 A<br>12 V = 1,05 A |
| Dimensions                | 108 x 137 x 87 mm             | 99x118x66                     | 105x105x88                   | 95x131x69                    | 99x42x117                     |
| Weight                    | 1,1 kg                        | 0,6 kg                        | 0,45 kg                      | 0,7 kg                       | 0,5 kg                        |
| Operating Temperatures    | -40...+85 °C                  | -40...+85 °C                  | -40...+85 °C                 | -40...+85 °C                 | -40...+85                     |
| Connector                 | Built-in Deutsch DT-2 (2-pin) | Built-in Deutsch DT-2 (2-pin) | Pigtail Deutsch 2-pin        | Pigtail Deutsch 2-pin        | Built-in Deutsch DT-2 (2-pin) |
| Protection class          | IP68, IP6K9K                  | IP68, IP6K9K                  | IP68, IP6K9K                 | IP68, IP6K9K                 | IP68, IP6K9K                  |
| EMC approved              | ✓                             | ✓                             | ✓                            | ✓                            | ✓                             |
| Application               |                               |                               |                              |                              |                               |

## OUTLINE MARKER



### TECHNICAL DATA

| End-Outline Marker Superpoint 3 Short | End-Outline Marker Superpoint 3 Straight | LED Outline marker |
|---------------------------------------|--|--------------------|
|---------------------------------------|--|--------------------|

| Order Code             | EEA13634          | EEA13917           | EEA16142         |
|------------------------|-------------------|--------------------|------------------|
| Nominal Voltage        | 24 V              | 24 V               | 12 - 24 V        |
| Dimensions             | 48,8 44,5 x 64 mm | 48,8 x 46 x 100 mm | 121 x 42 x 38 mm |
| Operating Temperatures | -40°C to +55°C    | -40°C to +55°C     | -40°C to +60°C   |
| Connector              | moulded for P&R   | moulded for P&R    | open             |
| Protection class       | IP69K             | IP69K              | IP66/68          |
| EMC approved           | ✓                 | ✓                  | ✓                |

## POSITION- AND FLASH LIGHTS



### TECHNICAL DATA

|                        | License plate illuminating | Multifunctional LED position lamp | LED Position lamp white | LED Beacon yellow | LED Flash Light yellow |
|------------------------|----------------------------|-----------------------------------|-------------------------|-------------------|------------------------|
| Order Code             | EEA12427                   | EEA13318                          | EEA14197                | EEA14657          | EEA16080               |
| Nominal Voltage        | 24 V                       | 12 - 24 V                         | 12 - 24 V               | 12 - 24 V         | 12 - 24 V              |
| Dimensions             | 83 x 40 x 30               | 238 x 21 x 10 mm                  | 81 x 24 x 21 mm         | Ø 134 x 58 mm     | 96 x 28 x 20 mm        |
| Operating Temperatures | -40°C to +55°C             | -25... 70 °C                      | -40°C to +80°C          | -30 ... 55 °C     | -30 ... 60 °C          |
| Connector              | moulded for P&R            | Pigtail Deutsch 2-pin             | open                    | open              | open                   |
| Protection class       | IP54                       | IP 66/68                          | IP69K                   | IP65              | IP65                   |
| EMC approved           | ✓                          | ✓                                 | ✓                       | ✓                 | ✓                      |

## NOTES

---

---

---

---

---

---

---

---

---

---

---

---

---

---

---

---

---

---

---

---

---

---

---

---

---

---

# FRONT STABILIZER KITS

PALFINGER is the only crane manufacturer that offers a complete range of front stabilizers.

- A screwable system that is optimally adapted to the respective truck chassis reduces material and installation costs
- Ideal transmission of force through the specially adapted cross beams and connections to the respective vehicle frames
- Compact design thanks to the integration of the support cylinder into the cross beam
- Cylinder lengths optimized for each chassis variant
- Simple and ideal integration into the HPSC stability system of the crane via S-IQ - Plug & Play
- Due to the included pressure transducers (or pressure switches for non-S-IQ), the kits have an integrated, adjustable frame overload protection system
- The special designed air intakes of the covers ensure good ventilation of the engine when the vehicle is stationary
- Maximum operational safety due to the transport position monitoring of the support cylinder
- Developed and tested by the PALFINGER MCC (Mounting Competence Center) in cooperation with the truck manufacturers



## KIT COMPONENTS

- Traverse (cross beam) including connections to the respective chassis
- Stabilizer ram
- Shunting or towing coupling including fastening material
- Hydraulic hoses for an easy connection to the crane hydraulics (control valve not included)
- The optional S-IQ kit for an easy integration into the stability and transport position monitoring system
- Optional available aluminum design front covers (raw - unpainted) including grid for the air intakes

## SCANIA NTG

| Option                  | Description  | Code   | KSZ00448A | KSZ00449A |
|-------------------------|--|--------|-----------|-----------|
| Stabilizer length       | stabilizer + 150 mm (max. stabilizer force 196 kN!)        | STÜ04  | ○         | ○         |
|                         | stabilizer + 75 mm (max. stabilizer force 196 kN!)         | STÜ11  | ○         | ○         |
|                         | 0 - 173 kN   | 173KN  | ●         | ●         |
| Stabilizer force        | > 173 - 196 kN (only in combination STÜ04)                 | 196KN* | ○         | ○         |
|                         | > 173 - 245 kN (NOT in combination with STÜ04)             | 245KN* | ○         | ○         |
| Cover                   | Aluminium-Front cover (raw)                                | FADST  | ○         | ○         |
| Stabilizer intelligence | Plug & Play connection (obligatory with SH and TEC cranes) | S-IQ   | ○         | ○         |

\*Front frame reinforcement by Scania factory conversion kit FMSC-FA-62501 mandatory! Mounting brackets for the connection already included in the Scania factory conversion kit.

## MAN TGS & TGX

| Option                  | Description  | Code  | KSZ00474A |
|-------------------------|--|-------|-----------|
| Underride Protection    | Vehicle with Underride Protection                          | SZ002 | ●         |
|                         | Vehicle without Underride Protection                       | SZ000 | ○         |
| Stabilizer length       | stabilizer + 150 mm  | STÜ04 | ○         |
|                         | stabilizer + 75 mm   | STÜ11 | ○         |
| Cover                   | Aluminium-Front cover (raw)                                | FADST | ○         |
| Stabilizer intelligence | Plug & Play connection (obligatory with SH and TEC cranes) | S-IQ  | ○         |

## MERCEDES BENZ AROCS | MODEL TYPE 964.XXX

| Option                  | Description   | Code   | KSZ00498A |
|-------------------------|---|--------|-----------|
| Vehicle-Code            | Non-AWD   | C50-V1 | ●         |
|                         | AWD, Non-AWD with F2M+(M2R/M2S), Non-AWD with Z5E+R0V, Non-AWD with Z5F/Z5L | C50-V2 | ○         |
| stabilizer length       | stabilizer +75 mm   | STÜ11  | ○         |
| Cover                   | Aluminium-Front cover (raw)   | FADST  | ○         |
| Stabilizer intelligence | Plug & Play connection (obligatory with SH and TEC cranes)                  | S-IQ   | ○         |

## VOLVO FH / FM / FMX (V4)

| Option                  | Description  | Code     | KSZ00497A | KSZ00479A |
|-------------------------|--|----------|-----------|-----------|
| Vehicle Type            | VOLVO FH   | FZTYP017 | ●         | ●         |
|                         | VOLVO FM   | FZTYP018 | ○         | ○         |
|                         | VOLVO FMX  | FZTYP019 | ○         | --        |
| Stabilizer length       | stabilizer + 75 mm   | STÜ11    | ○         | --        |
| Cover                   | Aluminium-Front cover (raw)                                | FADST    | ○         | ○         |
| Stabilizer intelligence | Plug & Play connection (obligatory with SH and TEC cranes) | S-IQ     | ○         | ○         |

## SCANIA P / R / G –SERIE - FRAME 957 OR 958

| Option                  | Description   | Code          | KSZ00326A | KSZ00327A |
|-------------------------|---|---------------|-----------|-----------|
| Cooler width            | cooler width = 1020 mm  | 1020mm        | ○         | --        |
|                         | cooler width = 1140 mm  | 1140mm        | --        | ○         |
| Pull straps             | pull straps kit with towing load 250kN                        | KMG06247A     | ○         | --        |
|                         | pull straps kit with towing load 250kN                        | KMG06248A     | --        | ○         |
| Adaption plate          | adaption plate for steel bumper                               | BZ488         | ○         | ○         |
| Cover                   | cover for front stabilizer kit for SCANIA with plastic bumper | CCS60000-30   | ○         | ○         |
|                         | cover for front stabilizer kit for SCANIA with steel bumper   | CCS60000-50   | ○         | ○         |
|                         | cover cap 50mm  | CCS60000-6001 | ○         | ○         |
|                         | cover cap 100mm   | CCS60000-6002 | ○         | ○         |
| Stabilizer intelligence | Plug & Play connection (obligatory with SH and TEC cranes)    | S-IQ          | ○         | ○         |

- standard
- optional
- not available



# FRONT STABILIZER KITS

## TECHNICAL DATA

### ATTENTION

The max. support forces relate exclusively to the respective front stabilizer kit!  
The maximum permissible supporting forces at the front of the respective chassis must be clarified with the responsible truck organization!



### TECHNICAL DATA

| Chassis              | Kit              | Cylinder Variant           | Max. dyn. support force [kN] | Total weight* [kg] | Stroke stabilizer ram [mm] | Max. towing load shunting coupling [kN/t] |
|----------------------|------------------|----------------------------|------------------------------|--------------------|----------------------------|---|
| SCANIA NTG           | KSZ00448A        | Single stabilizer standard | 245                          | 205                | 300                        | 245 / 25                                  |
| SCANIA NTG           | KSZ00448A +STÜ04 | Single stabilizer +150 mm  | 196                          | 216                | 450                        | 245 / 25                                  |
| SCANIA NTG           | KSZ00448A +STÜ11 | Single stabilizer +75 mm   | 196                          | 212                | 375                        | 245 / 25                                  |
| SCANIA NTG           | KSZ00449A        | Double stabilizer standard | 245                          | 208                | 450                        | 245 / 25                                  |
| SCANIA NTG           | KSZ00449A +STÜ04 | Double stabilizer +150 mm  | 196                          | 230                | 450                        | 245 / 25                                  |
| SCANIA NTG           | KSZ00449A +STÜ11 | Double stabilizer +75 mm   | 196                          | 219                | 375                        | 245 / 25                                  |
| Volvo FH/FM/FMX (V4) | KSZ00497A        | Single stabilizer          | 196                          | 150                | 450                        | 245 / 25                                  |
| Volvo FH/FM/FMX (V4) | KSZ00497A +STÜ11 | Single stabilizer +75 mm   | 196                          | 155                | 450                        | 245 / 25                                  |
| Volvo FH/FM (V4)     | KSZ00479A        | Double stabilizer          | 196                          | 158                | 450                        | 245 / 25                                  |
| MAN TGS & TGX        | KSZ00474A        | Single stabilizer standard | 147                          | 116                | 300                        | 245 / 25                                  |
| MAN TGS & TGX        | KSZ00474A +STÜ11 | Single stabilizer +75 mm   | 147                          | 122                | 375                        | 245 / 25                                  |
| MAN TGS & TGX        | KSZ00474A +STÜ04 | Single stabilizer +150 mm  | 147                          | 127                | 450                        | 245 / 25                                  |
| Mercedes Benz Arocs  | KSZ00498A        | Single stabilizer          | 147                          | 195                | 375                        | 220 / 22,4                                |
| Mercedes Benz Arocs  | KSZ00498A +STÜ11 | Single stabilizer +75 mm   | 147                          | 200                | 450                        | 220 / 22,4                                |
| SCANIA G / P / R     | KSZ00326A        | Single stabilizer standard | 196                          | 180                | 450                        | 245 / 25                                  |
| SCANIA G / P / R     | KSZ00327A        | Single stabilizer standard | 196                          | 180                | 450                        | 245 / 25                                  |

# STABILIZER PADS AND TRANSPORT BOXES

The ideal substructure for your crane:

- Ideal for various ground surfaces
- Easy and fast handling due to the carrying straps as well as the fastening possibilities on the truck
- Maximum safety for all supporting forces tested by PALFINGER
- Even at low temperatures - no risk of breakage
- Suitable transport boxes available for all sizes
- Fast and safe locking of the stabilizer pads via the retrofit set QuickLock



### STABILIZER PADS

| Description | Code       | L x W x H [mm] | Weight [kg] | Supporting force [t] |
|-------------|------------|----------------|-------------|----------------------|
| ROUND       | EZ2261-400 | Ø 400 x 80     | 5           | 12                   |
|             | EZ2261-500 | Ø 500 x 80     | 7           | 16                   |
| SQUARE      | EZ2189-300 | 300 x 300 x 40 | 3,5         | 13                   |
|             | EZ2189-400 | 400 x 400 x 50 | 8           | 19                   |
|             | EZ2189-500 | 500 x 500 x 60 | 15          | 31                   |
|             | EZ2189-600 | 600 x 600 x 60 | 21          | 41                   |
|             | EZ2189-800 | 800 x 800 x 60 | 38          | 50                   |

### TRANSPORT BOXES

| Description                                  | Code       | L x W x H [mm] | Weight [kg] | Locking System QuickLock* |
|--|------------|----------------|-------------|---------------------------|
| bracket for round stabilizer pads uncoated   | EZ2262-400 | 410x410x77,5   | 5           | --                        |
|  | EZ2262-500 | 510x510x70,5   | 7           | --                        |
| bracket for round stabilizer pads KTL coated | EZ2263-400 | 410x410x77,5   | 5           | --                        |
|  | EZ2263-500 | 510x510x70,5   | 7           | --                        |
| bracket for 1 square pad galvanized          | EZ2236-300 | 354x319x94     | 4           | --                        |
|  | EZ2236-400 | 439x414x99     | 6           | --                        |
|  | EZ2236-500 | 544x514x109    | 7           | EFA 439                   |
|  | EZ2236-600 | 654x614x109    | 9           | EFA 439                   |
| bracket for 2 square pads galvanized         | EZ2236-800 | 854x814x109    | 12          | EFA 439                   |
|  | EZ2190-300 | 354x319x134    | 4           | --                        |
|  | EZ2190-400 | 439x414x154    | 6           | --                        |
|  | EZ2190-500 | 544x514x174    | 8           | EFA 440                   |
|  | EZ2190-600 | 654x614x174    | 10          | EFA 440                   |
|  | EZ2190-800 | 854x814x174    | 15          | EFA 440                   |

\* only useable when box is mounted vertically

# MOUNTING KIT FOR 3.5T TRUCK

- Complete screwable kit for easy mounting on the truck
- Including all hydraulic and electric components
- No welding work required
- No complex adjustments
- Reduction in mounting time from 30% up to 50%
- Standard platform of the vehicle manufacturer is useable
- Higher payload because an additional sub frame is no longer needed
- All components are proved by PALFINGER and therefore perfectly fit to the demand of the crane



## TECHNICAL SPECIFICATIONS

Depending on the crane vehicle combination  
Following components are included in the mounting kit

- Frame brackets
- Stabilizer system (conform EN12999)
  - PC 1500 - outrigger one side (R) + 1 stabilizer cylinder
  - PC 2700 - outrigger both sides (R2) + 2 short rigid stabilizer cylinders
- Screws for fixing to the vehicle frame
- Templates or detailed information for for an easy remove of the area at the platform where the crane will be mounted
- Cover for the platform floor around the crane column
- Complete wiring harness with all necessary switches, plugs and fuses
- Oil tank and all necessary hydraulic hoses
- Detailed set-up instructions with complete photo-documentation

## YOU NEED

- Carrier vehicle with standard platform
- Crane
- Mounting kit
- approx. 20 h assembly time

## AVAILABLE FOR:

- IVECO New DAILY
- VW T6
- MERCEDES SPRINTER
- RENAULT MASTER
- FIAT DUCATO Multijet 2
- MAN TGE
- VW Crafter

## BEST PRICE PROOF 3,5T MOUNTING KIT + PC CRANE

On the example PC 2700B, BS013 R2 and powered by powerpack

| Conventional assembly  | EUR | Assembly with mounting kit          | EUR |
|--|-----|-------------------------------------|-----|
| Crane PC 2700 B, ISC-S, EKAT, VPACK  |     | Crane PC 2700 B, ISC-S, EKAT, VPACK |     |
| Support BS013, STZS3, ISC-S  |     | Mounting kit variant with powerpack |     |
| 4 kW powerpack EP 1983C  |     | 20 h mounting x hourly rate [€/h]   |     |
| 6 m cable kit powerpack EEA9836A   |     |                                     |     |
| Mounting plates, stiffing plates etc.  |     |                                     |     |
| Small materials, screws, washers, etc.   |     |                                     |     |
| 8h project engineering (planning, calculating, logistics, etc.) x hourly rate [€/h]  |     |                                     |     |
| 40h buildup (demount platform, weld subframe, mounting crane and stabilizer, total electric and hydraulic, etc.) x hourly rate [€/h] |     |                                     |     |
| <b>Total</b>   |     | <b>Total</b>                        |     |

## DRIVE VARIANTS

- **Gear pump for mounting at the PTO**
  - Only for Mercedes Sprinter, Renault Master, Iveco New Daily, MAN TGE and VW Crafter
  - For continuous operation
  - For rope winch application
- **Gear pump with electromagnetic clutch and oil tank**
  - Only for FIAT Ducato including air conditioning
  - For continuous operation
  - For rope winch application
- **Hydraulic power pack**
  - Suitable for all vehicles
  - Limited operating time
  - (Attention > consider Product Information 03-2016)
  - Winch operation not possible!

100% compatibility can not be guaranteed!  
Adaptations may be necessary.



The following vehicles based on the same chassis:  
FIAT Ducato Multijet > PEUGEOT Boxer / CITROEN Jumper / CHRYSLER RAM ProMaster  
RENAULT Master > OPEL Movano / NISSAN NV400

| MAN TGE & VW Crafter*   | PC 1500                       |                                     | PC 2700                      |                              |                              |                              |
|---|-------------------------------|-------------------------------------|------------------------------|------------------------------|------------------------------|------------------------------|
|   | Manuell                       | RRC                                 | Manuell                      | RRC                          |                              |                              |
| Crane left or right (In driving direction)                                | Front mounted                 | Pump on PTO<br>Powerpack            | CCX061011111<br>CCX061041111 | CCX061011121<br>CCX061041121 | CCX061012113<br>CCX061042113 | CCX061012123<br>CCX061042123 |
| <b>IVECO NEW DAILY (2017 model)</b>                                       |                               |                                     |                              |                              |                              |                              |
| Crane left or right (In driving direction)                                | Front mounted                 | Pump on PTO<br>Powerpack            | CCX041011111<br>CCX041041111 | CCX041011121<br>CCX041041121 | CCX041012113<br>CCX041042113 | CCX041012123<br>CCX041042123 |
| <b>VW T6 **</b>   |                               |                                     |                              |                              |                              |                              |
| Crane left or right (In driving direction)                                | Rear mounted<br>Front mounted | Powerpack<br>Powerpack              | CCX051041211<br>CCX051041111 | -<br>-                       | -<br>-                       | -<br>-                       |
| <b>MERCEDES SPRINTER (OM651 DE 22LA – 316 R2; 316 R3; 516 R2; 516 R3)</b> |                               |                                     |                              |                              |                              |                              |
| Crane left (In driving direction)   | Front mounted                 | Pump on PTO<br>Powerpack            | CCX021011411<br>CCX021041411 | CCX021011421<br>CCX021041421 | CCX021012413<br>CCX021042413 | CCX021012423<br>CCX021042423 |
| Crane right (In driving direction)  | Front mounted                 | Pump on PTO<br>Powerpack            | CCX021011311<br>CCX021041311 | CCX021011321<br>CCX021041321 | CCX021012313<br>CCX021042313 | CCX021012323<br>CCX021042323 |
| <b>RENAULT MASTER (150.35 - Flatbed 40 L3 - M9T - 107kW)</b>              |                               |                                     |                              |                              |                              |                              |
| Crane left (In driving direction)   | Front mounted                 | Pump on PTO<br>Powerpack            | CCX031011411<br>CCX031041411 | -<br>-                       | CCX031012413<br>CCX031042413 | -<br>-                       |
| Crane right (In driving direction)  | Front mounted                 | Pump on PTO<br>Powerpack            | CCX031011311<br>CCX031041311 | CCX031011321<br>CCX031041321 | CCX031012313<br>CCX031042313 | CCX031012323<br>CCX031042323 |
| <b>FIAT DUCATO *** (130 Multijet 2)</b>                                   |                               |                                     |                              |                              |                              |                              |
| Crane left (In driving direction)   | Front mounted                 | Electromagnetic clutch<br>Powerpack | CCX011051411<br>CCX011041411 | CCX011051421<br>CCX011041421 | CCX011052413<br>CCX011042413 | CCX011052423<br>CCX011042423 |
| Crane right (In driving direction)  | Front mounted                 | Electromagnetic clutch<br>Powerpack | CCX011051311<br>CCX011041311 | CCX011051321<br>CCX011041321 | CCX011052313<br>CCX011042313 | CCX011052323<br>CCX011042323 |
| <b>FIAT DUCATO *** (150 Multijet 2)</b>                                   |                               |                                     |                              |                              |                              |                              |
| Crane left (In driving direction)   | Front mounted                 | Electromagnetic clutch<br>Powerpack | CCX011021411<br>CCX011041411 | CCX011021421<br>CCX011041421 | CCX011022413<br>CCX011042413 | CCX011022423<br>CCX011042423 |
| Crane right (In driving direction)  | Front mounted                 | Electromagnetic clutch<br>Powerpack | CCX011021311<br>CCX011041311 | CCX011021321<br>CCX011041321 | CCX011022313<br>CCX011042313 | CCX011022323<br>CCX011042323 |
| <b>FIAT DUCATO *** (180 Multijet 2)</b>                                   |                               |                                     |                              |                              |                              |                              |
| Crane left (In driving direction)   | Front mounted                 | Electromagnetic clutch<br>Powerpack | CCX011061411<br>CCX011041411 | CCX011061421<br>CCX011041421 | CCX011062413<br>CCX011042413 | CCX011062423<br>CCX011042423 |
| Crane right (In driving direction)  | Front mounted                 | Electromagnetic clutch<br>Powerpack | CCX011061311<br>CCX011041311 | CCX011061321<br>CCX011041321 | CCX011062313<br>CCX011042313 | CCX011062323<br>CCX011042323 |

\* Due to the same model of the vehicles, the order codes of the variants are equal. \*\* Minor adaptations possible at the factory flat bed.  
\*\*\* For the "Electromagnetic clutch" drive variant, an air conditioning system for the carrier vehicle is obligatory.

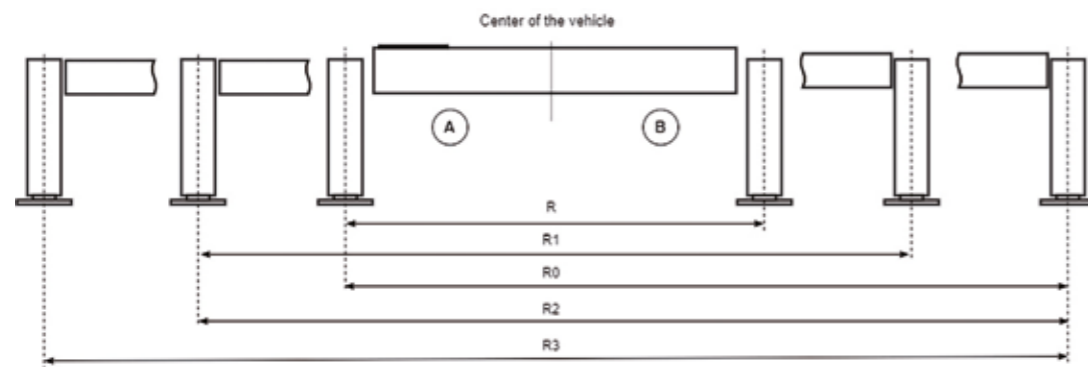
# STABILIZERS PC-CRANE CONFIGURATION POSSIBILITIES AND DIMENSIONS

- All support frames delivered in the EU must comply with EN12999.
- Cranes with load distribution less than 1000 kg or less than 40 kNm lifting torque (PC1500) do not need to be monitored for stability
- For non-EU countries the versions without CE conformity are still available and permissible

- Standard
- Optional
- Not available
- \* tiltable outrigger
- \*\* ex works base coated
- \*\*\* only in combination with STZS5



| OPTIONS                               | DESCRIPTION  | CODE         | BS008 PC1500 |        | BS008 PC2700 |        | BS010 |        | BS013 |        | BS014 |        |
|---------------------------------------|--|--------------|--------------|--------|--------------|--------|-------|--------|-------|--------|-------|--------|
|                                       |  |              | CE           | Non-CE | CE           | Non-CE | CE    | Non-CE | CE    | Non-CE | CE    | Non-CE |
| <b>Stability monitoring</b>           | Step-by-step stability monitoring                  | <b>ISC-S</b> | ○            | ○      | ●            | ○      | ●     | ○      | ●     | ○      | ●     | ○      |
| <b>Outrigger box</b>                  | Manually extendable outrigger on one side          | <b>RO</b>    | ●*           | ●*     | ●*           | ●*     | ●     | ●      | --    | --     | ●     | ●      |
|                                       | Manually extendable outrigger on both sides        | <b>R...</b>  | --           | --     | --           | --     | ○     | ○      | ○     | ○      | --    | --     |
| <b>Cylinder Variant</b>               | Stabilizer ram rigid, mounting above vehicle frame | <b>STZS5</b> | ○            | ○      | ○            | ○      | ○     | ○      | ○     | ○      | ○     | ○      |
|                                       | Stabilizer ram 60° manually tiltable               | <b>STZY5</b> | --           | --     | --           | --     | ○     | ○      | ○     | ○      | ○     | ○      |
| <b>Long version of stabilizer ram</b> | 100 mm extension (only in combination with STZS5)  | <b>STÜ06</b> | --           | --     | --           | --     | ○     | ○      | --    | --     | --    | --     |
|                                       | 200 mm extension                                   | <b>STÜ07</b> | ○            | ○      | ○            | ○      | ○***  | ○***   | ○     | ○      | ○     | ○      |
| <b>Electric</b>                       | Transport monitoring system outriggers             | <b>AUSVW</b> | ●            | ●      | ●            | ●      | ●     | ○      | ●     | ○      | ●     | ○      |
| <b>Others</b>                         | RAL 3020   | <b>STD</b>   | ●**          | ●**    | ●**          | ●**    | ●     | ●      | ●     | ●      | ●     | ●      |
| <b>Mounting bolts</b>                 | Mounting bolts for easy connection to the vehicle  | <b>BRI</b>   | --           | --     | --           | --     | ○     | ○      | ○     | ○      | ○     | ○      |



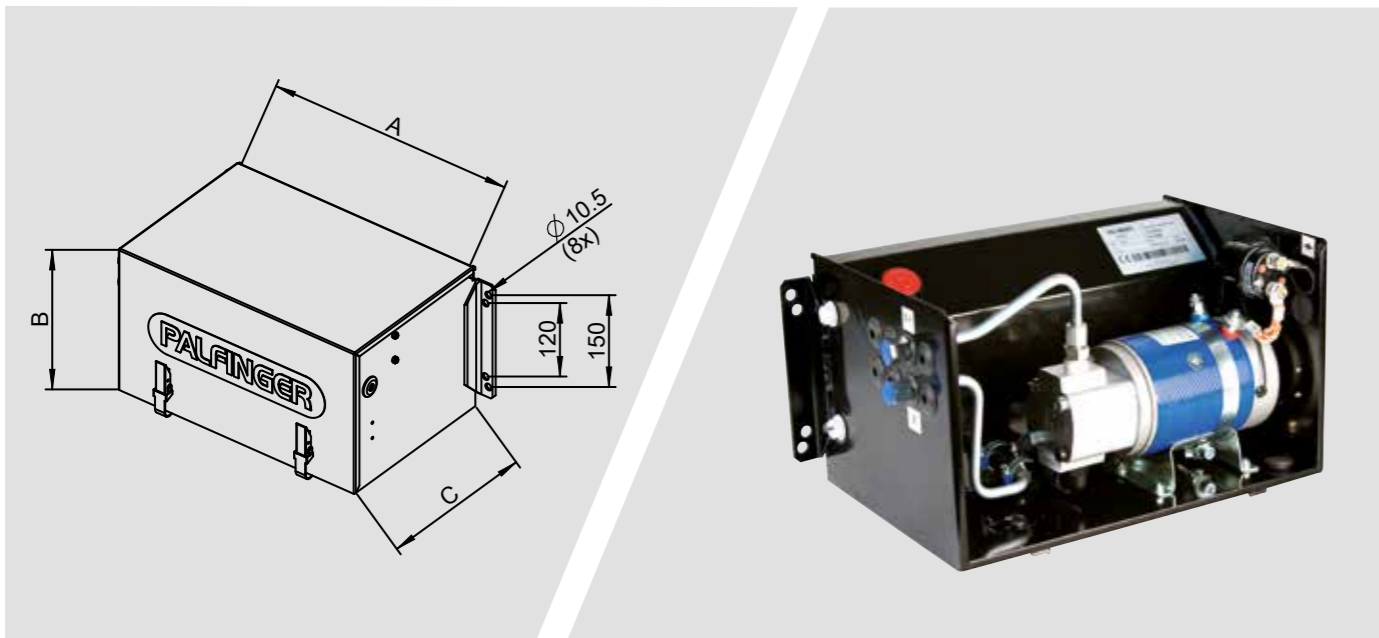
| Stabilizer | Crane Type      | Cylinder Variant | Weight [kg] |     |     |     |    | F <sub>max</sub> A / B [kN] |           |           |           |         | Dimensions [mm] |      |      |      |      |  |
|------------|-----------------|------------------|-------------|-----|-----|-----|----|-----------------------------|-----------|-----------|-----------|---------|-----------------|------|------|------|------|--|
|            |                 |                  | R           | R0  | R1  | R2  | R3 | R                           | R0        | R1        | R2        | R3      | R               | R0   | R1   | R2   | R3   |  |
| BS008      | PC 2700         | STZS5            | 78          |     |     |     |    | 31,2/-                      |           |           |           |         |                 |      |      |      |      |  |
|            | PC 1500         | STZS5 (STU07)    | 82          |     |     |     |    | 15,9/-                      |           |           |           |         |                 |      |      |      |      |  |
| BS010      | PC 3800         | STZS5            | 132         | 161 | 191 |     |    |                             |           |           |           |         |                 |      |      |      |      |  |
|            |                 | STZS5 (STU07)    | 144         | 174 | 203 |     |    | 55,4/41                     | 23,8/40,8 | 23,5/17,8 |           | 1688    | 2952            | 4216 |      |      |      |  |
|            |                 | STZY5            | 135         | 165 | 194 |     |    |                             |           |           |           |         |                 |      |      |      |      |  |
|            |                 | STZY5 (STU6)     | 147         | 177 | 206 |     |    |                             |           |           |           |         |                 |      |      |      |      |  |
| BS013      | PC 2700 (STZS5) | STZS5            | 115         | 130 | 135 | 145 |    | 38,6/30                     |           | 24,4/19   | 17,1/18,7 | 17/13,2 |                 |      |      |      |      |  |
|            |                 | STZS5 (STU07)    | 120         | 135 | 140 | 150 |    |                             |           |           |           |         | 1726            |      | 2726 | 3326 | 3926 |  |
|            | PC 1500 (STZS5) | STZY5            | 120         | 135 | 140 | 150 |    | 21,2/14,3                   |           | 13,4/9,1  | 9,5/8,8   | 9,3/7,2 |                 |      |      |      |      |  |
|            |                 | STZY5 (STU6)     | 130         | 145 | 150 | 160 |    |                             |           |           |           |         |                 |      |      |      |      |  |
| BS014      | PC 2700         | STZS5            | 115         |     |     |     |    |                             | 9,4/12,9  |           |           |         |                 | 1726 | 2826 |      |      |  |
|            |                 | STZS5 (STU07)    | 120         |     |     |     |    |                             |           |           |           |         |                 |      |      |      |      |  |
|            | PC 1500         | STZY5            | 125         |     |     |     |    |                             | 16,7/27,6 |           |           |         |                 |      |      |      |      |  |
|            |                 | STZY5 (STU6)     | 130         |     |     |     |    |                             |           |           |           |         |                 |      |      |      |      |  |

# POWERPACKS FOR PC-CRANES

## A SUITABLE AGGREGATE FOR EACH PC – CRANE MODEL

- Creates hydraulic power without a PTO or EMC on the vehicle
- Simple and convenient "Plug & Play" mounting
- Splash-proof and dust-proof thanks to compact design (IP54)
- A suitable cable kit is available for each powerpack
- Operating time > 25 min

PALFINGER generally recommend to use a pump on PTO to drive a PC-Crane



## POWERPACKS FOR PC-CRANES

| Code    | on-board voltage [V] | Power [kW] | PC 1500 | PC 2700 | PC 3800 | Oil flow [l/min] |         | Tank volume [l] |
|---------|----------------------|------------|---------|---------|---------|------------------|---------|-----------------|
|         |                      |            |         |         |         | 100 bar          | 200 bar |                 |
| EP1980C | 12                   | 1,5        | •       | ○       | --      | 6,3              | 4,6     | 6               |
| EP1981B | 24                   | 1,5        | •       | ○       | --      | 6,5              | 5       | 6               |
| EP1983C | 12                   | 4          | --      | •       | ○       | 9                | 6,5     | 9               |
| EP1984C | 24                   | 4,5        | --      | •       | ○       | 9,6              | 7,3     | 9               |

Maximum system pressure 210 bar

- ... Suitable
- ... Suitable, but reduced operating speed



## DIMENSIONS

| Code    | Length A [mm] | Height B [mm] | Depth C [mm] | Weight [kg] |
|---------|---------------|---------------|--------------|-------------|
| EP1980C | 400           | 231           | 280          | 18,7        |
| EP1981B | 400           | 231           | 280          | 18,7        |
| EP1983C | 445           | 235           | 335          | 24,5        |
| EP1984C | 445           | 235           | 335          | 24,5        |

## CABLE KIT

| Code     | Description                        | Suitable for        |
|----------|------------------------------------|---------------------|
| EEA9835A | Cable kit 6 m - 35 mm <sup>2</sup> | EP1981B             |
| EEA9847A | Cable kit 6 m - 50 mm <sup>2</sup> | *                   |
| EEA9836A | Cable kit 6 m - 70 mm <sup>2</sup> | EP1980C / EP1984C * |
| EEA9848A | Cable kit 6 m - 95 mm <sup>2</sup> | EP1983C *           |

\* If the cable kit is shortened to 4 m, the next smaller cable cross section can be used

## ATTENTION

- The unit is not suitable for continuous operation
- Observe the vehicle specifications. The electrical system must not be overloaded
- Use the strongest available alternator and battery - second battery is recommended
- Operation of the unit only with the engine running
- Winch operation is not possible

# PALFINGER CUSTOMIZED SUBFRAMES

Individual PALFINGER subframes adapted to any crane-truck combination to get the most out of stiffness and weight for optimal crane performance and vehicle stability. All frames are made of high-quality fine-grained steel and can be installed quick and easy.



For further information please contact your local PALFINGER partner or responsible Area Sales Manager.

## SEMI-OPEN SUBFRAMES WITHOUT ADDITIONAL STABILIZERS



- For rear mounted cranes < 30 mt
- Lightweight design
- Warp-resistant features below the crane - warp-soft features below the platform

## CLOSED SUBFRAMES WITHOUT ADDITIONAL STABILIZERS



- For cranes < 30 mt
- Warp-resistant design

## CLOSED SUBFRAMES WITH ADDITIONAL STABILIZERS



- For cranes > 30 mt
- Warp-resistant design
- Preparation for PALFINGER additional stabilizers
- Integrated container locks optional

## CLOSED SUBFRAMES FOR INTEGRAL CRANE BASE



- For cranes > 60 mt
- Warp-resistant design
- Optional with preparation for fifth wheel installation

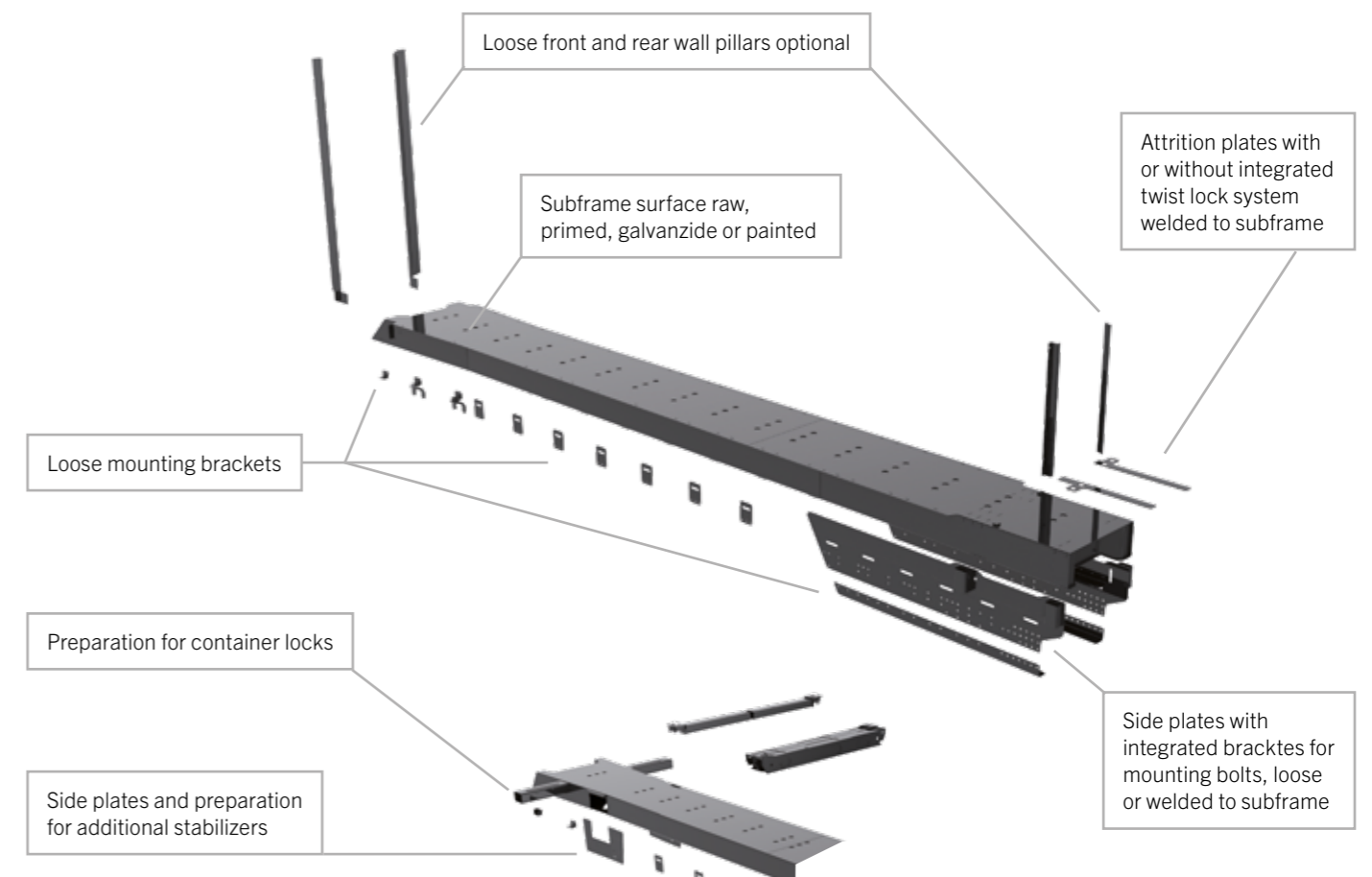
# SUBFRAME SPECIFICATION

Customized subframes can be ordered from the PALFINGER Mounting Competence Center by specification of the following parameters:

- Truck FIN- or order-number
- Vehicle specification and drawings
- Crane model
- Position of the crane
- Additional stabilizers model
- Position of the additional stabilizers
- Special equipment (e.g. container locks, fifth wheel, trailer coupling,...)



## SUBFRAME OPTIONS



# PALFINGER STANDARD SUBFRAMES

- Improved installation quality by using prefabricated modules
- All frames are supplied prime coated for transport
- Manufactured from fine-grained steel S690
- Ideally combined with the PALFINGER L-form side plates and the PALFINGER brackets



# PALFINGER CUSTOMIZED PLATFORMS

- Customized top mounted platform for self-assembly
- Numerous options of platform design and load securing for the transportation of any goods
- Low loading height due to adapted cutouts for mudguards



## PALFINGER SUBFRAME MODULES

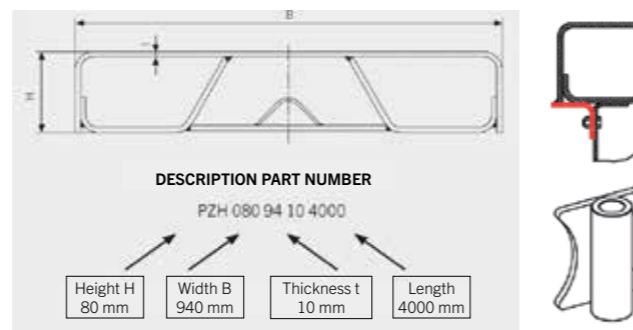
| Code            | Height [mm] | Length [mm] | Weight [kg] |
|-----------------|-------------|-------------|-------------|
| PZH0809410+4000 | 80          | 4000        | 684         |
| PZH0809410+6000 | 80          | 6000        | 1026        |
| PZH0809412+4000 | 80          | 4000        | 808         |
| PZH0808510+4000 | 80          | 4000        | 624         |
| PZH0808510+6000 | 80          | 6000        | 936         |
| PZH0808512+4000 | 80          | 4000        | 740         |
| PZH1209410+4000 | 120         | 4000        | 808         |
| PZH1209410+6000 | 120         | 6000        | 1212        |
| PZH1209412+4000 | 120         | 4000        | 956         |
| PZH1208510+4000 | 120         | 4000        | 716         |
| PZH1208510+6000 | 120         | 6000        | 1074        |
| PZH1208512+4000 | 120         | 4000        | 852         |
| PZH1609410+4000 | 160         | 4000        | 868         |
| PZH1609410+6000 | 160         | 6000        | 1302        |
| PZH1609412+4000 | 160         | 4000        | 1024        |
| PZH1608510+4000 | 160         | 4000        | 808         |
| PZH1608510+6000 | 160         | 6000        | 1215        |
| PZH1608512+4000 | 160         | 4000        | 952         |
| PZH1608512+6000 | 160         | 6000        | 1428        |
| PZH2009410+4000 | 200         | 4000        | 924         |
| PZH2009410+6000 | 200         | 6000        | 1386        |
| PZH2008510+4000 | 200         | 4000        | 864         |
| PZH2008510+6000 | 200         | 6000        | 1296        |
| PZH2509410+4000 | 250         | 4000        | 996         |
| PZH2509410+6000 | 250         | 6000        | 1494        |
| PZH2508510+4000 | 250         | 4000        | 936         |
| PZH2508510+6000 | 250         | 6000        | 1404        |

## ADVANTAGES

- Weight optimized
- Reduced installation costs
- Low construction height
- High torsional rigidity

## PALFINGER FRAME ACCESSORIES

| Component                 | Code           | Weight [kg] |
|---------------------------|----------------|-------------|
| Side plate length 4000 mm | <b>HA8063</b>  | 56          |
| Bracket M20               | <b>HXE4534</b> | 1,1         |
| Bracket M24               | <b>HXE3144</b> | 2           |
| Bracket M30               | <b>HXE3145</b> | 2,3         |
| Bracket M36               | <b>HXE9084</b> | 4,2         |
| Bracket M42               | <b>HXE2527</b> | 7,8         |
| Bracket M48               | <b>HXE4514</b> | 15,8        |



For further information please contact your local PALFINGER partner or responsible Area Sales Manager.



## TECHNICAL DATA

- Platform for installation on the subframe
- Border profile made of steel, 160mm high, campfered 45° with lashing holes every 280mm, sandplasted, primed and painted
- Platform floor made of 27mm plywood panels, impregnated and sealed
- 3 side walls per side, made of 25mm aluminium anodized, foldable and removable
- Front wall steel frame primed and painted, covered with 25mm aluminium anodized profiles
- Rear wall made of 25mm aluminium anodized, foldable and removable with 2 rear wall racks for horizontal rest
- Kinnegrip wall locks

## OPTIONS

- Platform length 6200mm, 6600mm or 7000mm
- Platform width 2550mm or 2600mm
- 3, 5 or 7 lashing ladders in platform floor
- Platform floor made of aluminium natural
- Multifunctional front wall with pole stowage
- Multifunctional front wall with manual extensions
- Side wall height 600mm or 800mm
- Kinnegrip wall locks K20 or K5, microgalvanized and painted or aluminium anodized
- 2 or 4 foldable steps in side walls
- Additional door in side walls
- Forklift side-protection
- Cutouts for the attachment of mudguards
- Holder for mudguards

Other lengths up to 8000 mm are available on request.

# MOUNTING BOLTS

- Delivered before the crane to accelerate the overall mounting process.
- Examined and tested by PALFINGER
- Ideally compatible with PALFINGER crane models
- The best possible introduction of the force into the sub- and vehicle frame
- High-strength steel
- For the best possible mounting of the crane on the vehicle

**Attention:** In order to avoid double delivery with the separate ordering of the mounting bolts, BRI must NOT be selected in the crane configuration.

## PK-MODELS

| Crane model  | BRI-4      | BRI-4B     | BRI-8      | BRI-8B     |
|--------------|------------|------------|------------|------------|
| PK 9002 EH   |            |            |            |            |
| PK 10002 SH  | KVZ00060A  | KVZ00062A  | KVZ00056A  | KVZ00061A  |
| PK 12002 EH  |            |            |            |            |
| PK 12502 SH  |            |            |            |            |
| PK 14002 EH  | UZ144S     | UZ346S     | UZ140S     | UZ345S     |
| PK 14502 SH  |            |            |            |            |
| PK 18002 EH  |            |            |            |            |
| PK 18502 SH  |            |            |            |            |
| PK 22002 EH  |            |            |            |            |
| PK 23002 SH  |            |            |            |            |
| PK 26002 EH  |            |            |            |            |
| PK 27002 SH  | UZ017S     | UZ343S     | UZ018S     | UZ344S     |
| PK 27001 EH  |            |            |            |            |
| PK 33002 EH  |            |            |            |            |
| PK 34002 SH  |            |            |            |            |
| PK 40002 EH  | KVZ00059AS | KVZ00063AS | KVZ00057AS | KVZ00058AS |
| PK 41002 MH  | UZ362S     | UZ363S     | UZ360S     | UZ361S     |
| PK 41002 EH  |            |            |            |            |
| PK 42002 SH  | KVZ00059AS | KVZ00063AS | KVZ00057AS | KVZ00058AS |
| PK 48002 MH  | UZ362S     | UZ363S     | UZ360S     | UZ361S     |
| PK 48002 EH  |            |            |            |            |
| PK 50002 EH  | KVZ00059AS | KVZ00063AS | KVZ00057AS | KVZ00058AS |
| PK 53002 SH  |            |            |            |            |
| PK 62002 EH  |            |            |            |            |
| PK 63002 EH  |            |            |            |            |
| PK 65002 MH  |            |            |            |            |
| PK 65002 SH  | UZ235S     | UZ340S     | UZ131S     | UZ339S     |
| PK 76002 EH  |            |            |            |            |
| PK 78002 SH  |            |            |            |            |
| PK 92002 SH  |            |            |            |            |
| Crane model  | BRI-6      |            | BRI-6B     |            |
| PK 110002 SH | UZ364S     | UZ365S     |            |            |

| Crane model       | BRI-3      | BRI-3B     | BRI-6      | BRI-6B     |
|-------------------|------------|------------|------------|------------|
| PK 5.001 SLD 1/3  |            |            |            |            |
| PK 5.501 SLD 5    |            |            |            |            |
| PK 7.001 SLD 1/3  | UZ011S     | UZ347S     | UZ165S     | UZ348S     |
| PK 7.001 K SLD 3  |            |            |            |            |
| PK 7.501 SLD 5    |            |            |            |            |
| PK 7.501 K SLD 5  |            |            |            |            |
| Crane model       | BRI-4      | BRI-4B     | BRI-8      | BRI-8B     |
| PK 8.501 SLD 1/3  |            |            |            |            |
| PK 9.501 SLD 5    |            |            |            |            |
| PK 11.001 SLD 1/3 |            |            |            |            |
| PK 12.001 SLD 3   |            |            |            |            |
| PK 12.501 SLD 5   |            |            |            |            |
| PK 13.501 SLD 1/3 | UZ144S     | UZ346S     | UZ140S     | UZ345S     |
| PK 13.501 K SLD 3 |            |            |            |            |
| PK 14.501 SLD 5   |            |            |            |            |
| PK 14.501 K SLD 5 |            |            |            |            |
| PK 17.001 SLD 1/3 |            |            |            |            |
| PK 19.001 SLD 5   |            |            |            |            |
| Crane model       | BRI-4      | BRI-4B     | BRI-8      | BRI-8B     |
| PK 21.501 SLD 1/3 | UZ017S     | UZ343S     | UZ018S     | UZ344S     |
| PK 24.001 SLD 5   |            |            |            |            |
| PK 28.002 TEC 5   | KVZ00080AS | KVZ00082AS | KVZ00081AS | KVZ00083AS |
| PK 28.502 TEC 5   | KVZ00084AS | KVZ00086AS | KVZ00085AS | KVZ00087AS |
| PK 29.502 TEC 7   | KVZ00080AS | KVZ00082AS | KVZ00081AS | KVZ00083AS |
| PK 30.002 TEC 7   | KVZ00084AS | KVZ00086AS | KVZ00085AS | KVZ00087AS |
| PK 35.002 TEC 5   | KVZ00080AS | KVZ00082AS | KVZ00081AS | KVZ00083AS |
| PK 35.502 TEC 5   | KVZ00084AS | KVZ00086AS | KVZ00085AS | KVZ00087AS |
| PK 36.502 TEC 7   | KVZ00080AS | KVZ00082AS | KVZ00081AS | KVZ00083AS |
| PK 37.002 TEC 7   | KVZ00084AS | KVZ00086AS | KVZ00085AS | KVZ00087AS |
| PK 45.002 TEC 5   |            |            |            |            |
| PK 48.002 TEC 7   |            |            |            |            |
| PK 55.002 TEC 5   | KVZ00072AS | KVZ00073AS | KVZ00070AS | KVZ00071AS |
| PK 58.002 TEC 7   |            |            |            |            |
| Crane model       | BRI-6      |            | BRI-6B     |            |
| PK 135.002 TEC 7  | KVZ00074A  | KVZ00075A  |            |            |

## L & EL-MODELS

| Crane model | BRI-4  | BRI-4B | BRI-8  | BRI-8B |
|-------------|--------|--------|--------|--------|
| PK 12001 L  | --     | --     | UZ366  | UZ367  |
| PK 15001 L  |        |        |        |        |
| PK 25001 EL | UZ290S | UZ341S | UZ266  | UZ351S |
| PK 27001 EL | --     | --     | UZ148S | --     |
| PK 35001 EL |        |        |        |        |
| PK 40001 EL | UZ138S | UZ353S | --     | --     |

| Crane model       | BRI-4  | BRI-4B | BRI-8  | BRI-8B |
|-------------------|--------|--------|--------|--------|
| PK 18.001 L TEC 3 | UZ144S | UZ346S | UZ366  | UZ367  |
| PK 20.501 L TEC 3 |        |        |        |        |
| PK 22.001 L TEC 7 | UZ373S | UZ374S | UZ371S | UZ372S |
| PK 23.001 L TEC 3 |        |        |        |        |
| PK 26.001 L TEC 7 |        |        |        |        |

## T - MODELS

| Crane model  | BRI-4  | BRI-4B | BRI-8  | BRI-8B |
|--------------|--------|--------|--------|--------|
| PK 13500T    |        |        |        |        |
| PK 15500T EH | UZ144S | UZ346S | UZ140S | UZ345S |
| PK 17500T    |        |        |        |        |
| PK 19500T EH |        |        |        |        |

## ADDITIONAL STABILIZERS PC-CRANE

| Stabilizers | BRI-6 | BRI-6B | BRI-8B | BRI-8 |
|-------------|-------|--------|--------|-------|
| BS009       | UZ325 | UZ352  | --     | --    |
| BS010       | --    | --     | UZ357  | UZ356 |
| BS013       | --    | --     | UZ357  | UZ356 |
| BS014       | UZ325 | UZ352  | --     | --    |

## PW - MODELS

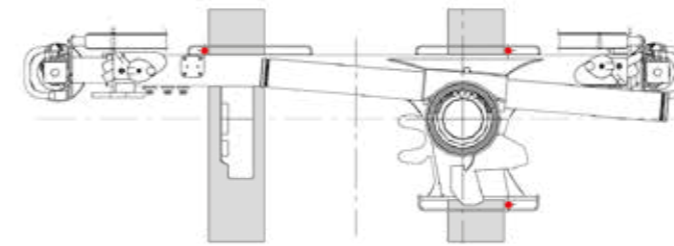
| Crane model | BRI-4  | BRI-4B | BRI-8  | BRI-8B |
|-------------|--------|--------|--------|--------|
| PW 32001    |        |        |        |        |
| PW 35001 SH |        |        |        |        |
| PW 38001    | UZ373S | UZ374S | UZ371S | UZ372S |
| PW 38001EL  |        |        |        |        |
| PW 42001 SH |        |        |        |        |
| PW 50001 SH |        |        |        |        |

## PC-CRANES

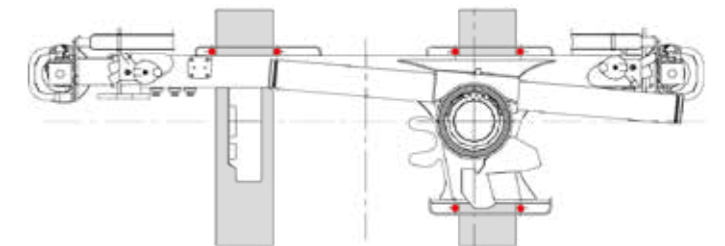
| Crane model | BRI-4     | BRI-4B | BRI-8 | BRI-8B |
|-------------|-----------|--------|-------|--------|
| PC 900      | --        | --     | --    | --     |
| PC 1500     |           |        |       |        |
| PC 2700     | KMG02436A | --     | --    | --     |
| PC 3800     |           |        |       |        |

BRI-3 ... 8 ... Number of mounting positions  
 BRI-3B ... 8B ... Number of mounting positions, mounting bolts coated  
 -- ... no kit available

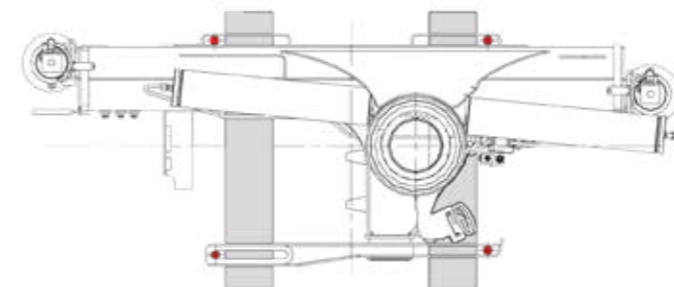
BRI-3 / BRI-3B



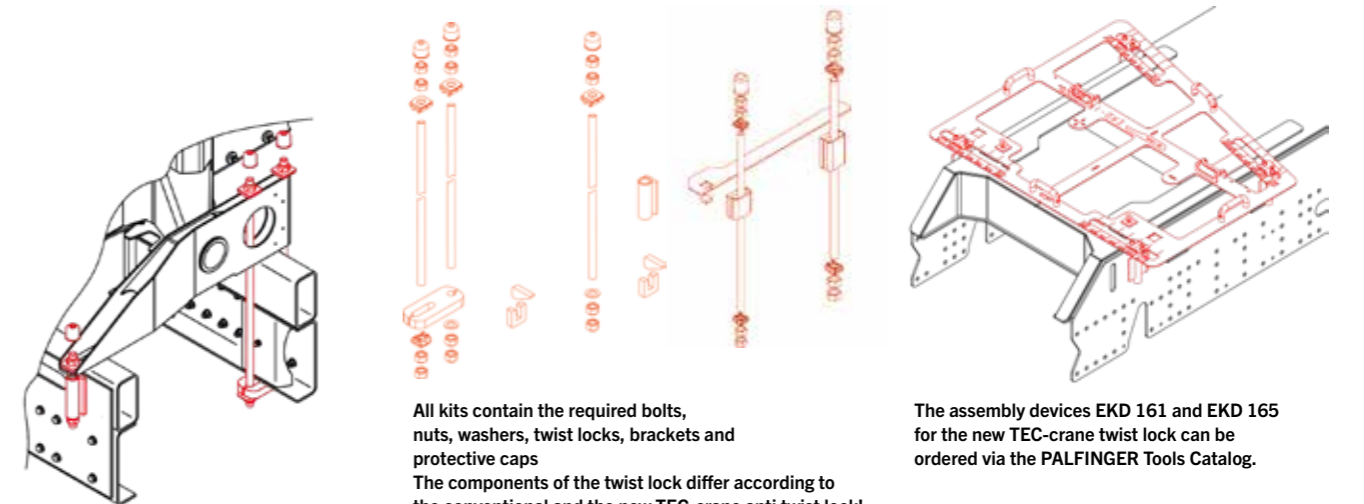
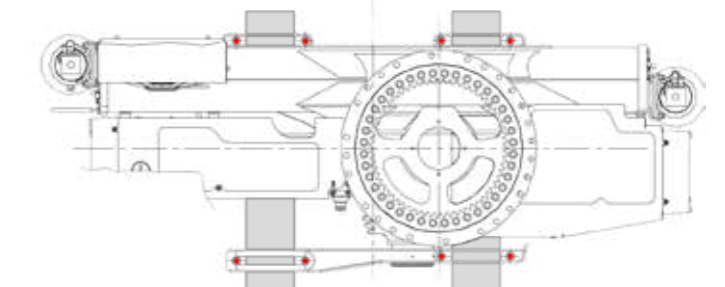
BRI-6 / BRI-6B



BRI-4 / BRI-4B



BRI-8 / BRI-8B



All kits contain the required bolts, nuts, washers, twist locks, brackets and protective caps  
 The components of the twist lock differ according to the conventional and the new TEC-crane anti twist lock!

The assembly devices EKD 161 and EKD 165 for the new TEC-crane twist lock can be ordered via the PALFINGER Tools Catalog.

# TOOLBOXES

## STAINLESS STEEL / STEEL / PLASTIC

- ECE certified R73
- Highest product quality and comfort
- High-quality optics
- Optimal corrosion protection
- Available in stainless steel, steel and plastic
- Variety of available dimensions
- Easy mounting by optional brackets



### TOOLBOX - STAINLESS STEEL

| Code   | Length A [mm] | Height B [mm] | Depth C [mm] | Weight [kg] | Locks | Bracket |
|--------|---------------|---------------|--------------|-------------|-------|---------|
| EZ7001 | 600           | 400           | 500          | 22,0        | 1     | EZ6998  |
| EZ7002 | 800           | 500           | 500          | 30,5        | 1     | EZ6998  |
| EZ7003 | 1000          | 500           | 500          | 36,0        | 1     | EZ6998  |
| EZ7004 | 1200          | 500           | 500          | 42,0        | 2     | EZ6998  |
| EZ7006 | 800           | 600           | 600          | 37,7        | 1     | EZ6999  |
| EZ7007 | 1000          | 600           | 600          | 44,2        | 1     | EZ6999  |
| EZ7008 | 1200          | 600           | 600          | 51,0        | 2     | EZ6999  |

### TOOLBOX - STEEL\*

| Code   | Length A [mm] | Height B [mm] | Depth C [mm] | Weight [kg] | Locks | Bracket |
|--------|---------------|---------------|--------------|-------------|-------|---------|
| EZ6981 | 600           | 400           | 500          | 22,0        | 1     | EZ6996  |
| EZ6982 | 800           | 500           | 500          | 30,5        | 2     | EZ6996  |
| EZ6983 | 1000          | 500           | 500          | 36,0        | 2     | EZ6996  |
| EZ6984 | 1200          | 500           | 500          | 42,0        | 2     | EZ6996  |
| EZ6986 | 800           | 600           | 600          | 37,7        | 2     | EZ6997  |
| EZ6987 | 1000          | 600           | 600          | 44,2        | 2     | EZ6997  |
| EZ6988 | 1200          | 600           | 600          | 51,0        | 2     | EZ6997  |

### TOOLBOX - PLASTIC

| Code   | Length A [mm] | Height B [mm] | Depth C [mm] | Weight [kg] | Locks | Bracket |
|--------|---------------|---------------|--------------|-------------|-------|---------|
| EZ7288 | 480           | 400           | 400          | 5,0         | 1     | EZ7442  |
| EZ7289 | 630           | 450           | 480          | 8,0         | 2     | EZ7443  |
| EZ7290 | 680           | 500           | 500          | 6,5         | 2     | --      |
| EZ7291 | 830           | 500           | 470          | 10,5        | 2     | EZ7443  |
| EZ7292 | 1030          | 500           | 455          | 13,0        | 3     | EZ7443  |
| EZ7293 | 1250          | 524           | 500          | 15,5        | 3     | EZ7443  |

### PLASTIC FIRE EXTINGUISHER BOX - PLASTIC

| Code   | Length A [mm] | Height B [mm] | Depth C [mm] | Weight [kg] | Extinguisher [kg] |
|--------|---------------|---------------|--------------|-------------|-------------------|
| EZ7444 | 611           | 310           | 250          | 3,5         | 6                 |

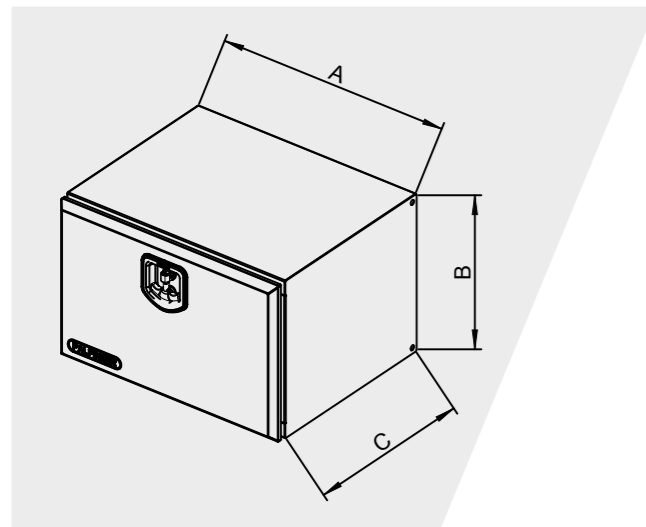
Fire extinguisher not included

### TOOLBOX - BRACKETS

| Code   | Material        | Strength [mm] | Length [mm] | Height [mm] | Weight [kg] |
|--------|-----------------|---------------|-------------|-------------|-------------|
| EZ6999 | stainless steel | 2,5           | 520         | 205,0       | 4,2         |
| EZ6998 | stainless steel | 2,5           | 420         | 160,0       | 2,8         |
| EZ6997 | steel*          | 4             | 520         | 205         | 6,5         |
| EZ6996 | steel*          | 3             | 420         | 160         | 3,5         |
| EZ7442 | steel*          | 2             | 340         | 150         | 3,0         |
| EZ7443 | steel*          | 3             | 410         | 190         | 4,6         |

\* powder coated (RAL9005)

### CERTIFIED AS SIDE UNDERRIDE PROTECTION! ECE CERTIFIED – R 73



**Stainless steel – cover polished**  
Lock: stainless steel



**Steel galvanized and powder coated Black RAL 9005**  
Lock: plastic

**Polypropylene**  
Lock: Plastics



### TECHNICAL DETAILS

#### Stainless steel / Steel

- Certified as side protection ECE-R73
- Gas pressure absorber
- Breath filter
- High quality anti-slip plastic
- Lockable (2 keys)
- Splash proofed
- Lid opening downwards - max. 90°
- sheet thickness 1,5mm

#### Plastic

- Certified as side protection ECE-R73
- Extremely robust (shock resistant)
- Highest material quality
- High UV resistance
- Lockable (2 keys)



# MUDGUARDS

No complicated searching and browsing in various catalogues.  
With the PALFINGER mudguard kit you receive all required components  
uncomplicated - with only one number!



## KIT



| Kit                             | Code     | Width [mm] | Length [mm] |
|---------------------------------|----------|------------|-------------|
| Kit 2 axles aluminium mudguards | M9000457 | 650        | 2700        |
| Kit 1 axle aluminium mudguards  | M9000477 | 650        | 1280        |
| Kit 2 axles plastic mudguards   | M9000492 | 650        | 2700        |
| Kit 1 axle plastic mudguards    | M9000491 | 650        | 1280        |

## SINGLE PARTS



All kit components can of course also be ordered separately.

| Component  | Code      | Width B [mm] | Length S [mm] | Radius R [mm] | Height H [mm] |
|--|-----------|--------------|---------------|---------------|---------------|
| 2 axle aluminum mudguard                                 | M62010621 | 650          | 2700          | 650           | 680           |
| 1 axle aluminum mudguard                                 | M62010622 | 650          | 1300          | 650           | 680           |
| 2 axle plastic mudguard                                  | M62010736 | 650          | 2670          | 635           | 620           |
| 1 axle plastic mudguard                                  | M62010179 | 650          | 1340          | 670           | 715           |
| Tube mounting kit for aluminum mudguard                  | M9000501  | Ø42          | 760           | --            | --            |
| Tube mounting kit for plastic mudguard                   | M9000502  | Ø42          | 760           | --            | --            |
| Bracket for mounting tube                                | EFA 307   | --           | --            | --            | --            |
| Aluminum separation 2 axles (for wheel base 1350-1450mm) | M9000755  | --           | 1250          | --            | 620           |
| PALFINGER mudflap 600x900mm                              | EFA 206   | --           | 600           | --            | 900           |
| PALFINGER mudflap 600x700mm                              | EFA 207   | --           | 600           | --            | 700           |

# REAR DEMOUNTABLE BRACKETS

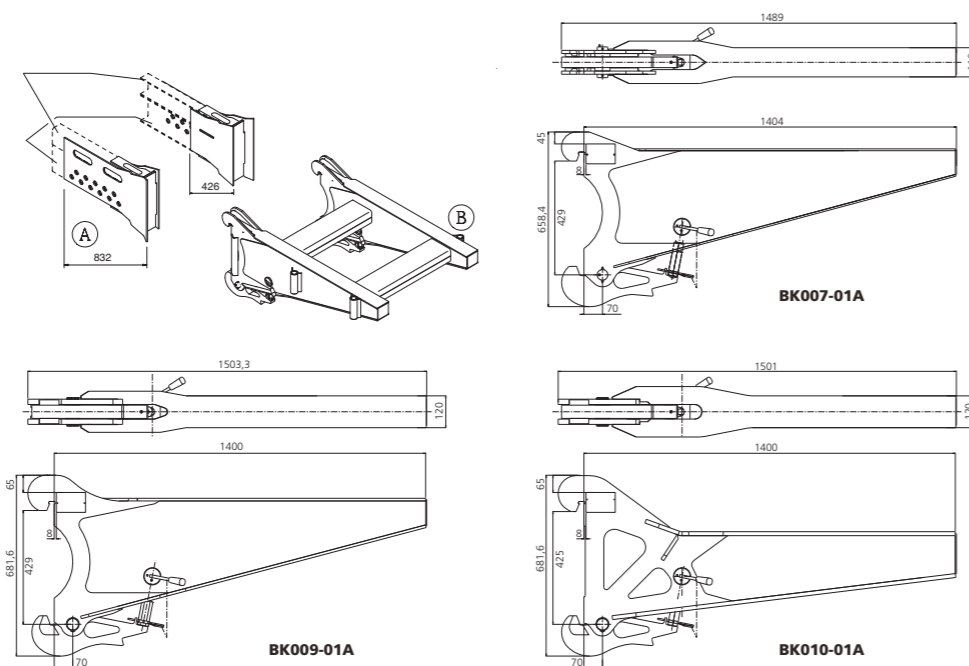
- Can be mounted to all kinds of vehicles
- The manual locking mechanism allows a coupling and decoupling within just a few minutes
- Full payload with decoupled crane possible
- Specially designed for the PALFINGER loader crane (PALFINGER Forestry and recycling cranes on request)



| Code    | Bracket                  | Quantity pcs | max. crane lifting moment | Weight [kg]        |
|---------|--------------------------|--------------|---------------------------|--------------------|
| BK007A  | BKA007-01A               | 2            | 119 kNm<br>12,1 mt        | (A) 120<br>(B) 204 |
| BK008A* | BKA007-01A<br>BKA009-01A | 1<br>1       | 244 kNm<br>24,9 mt        | (A) 142<br>(B) 236 |
| BK009A  | BKA009-01A               | 2            | 244 kNm<br>24,9 mt        | (A) 164<br>(B) 268 |
| BK010A  | BKA010-01A               | 2            | 244 kNm<br>24,9 mt        | (A) 164<br>(B) 326 |



\* For crane mounting where center of gravity outside the center

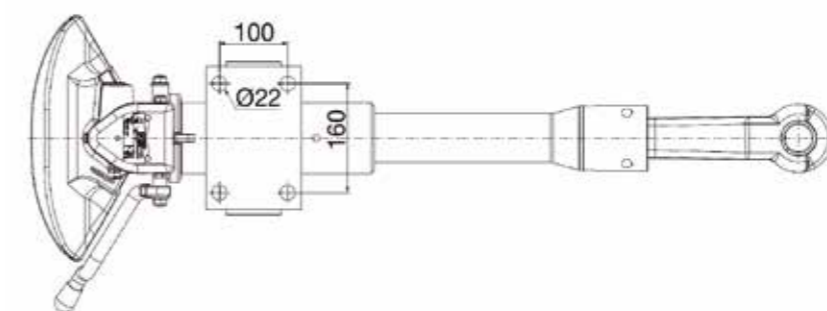
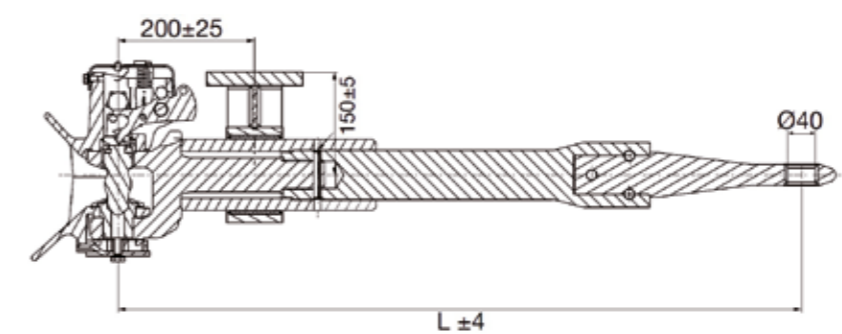


# EXTENSION COUPLINGS

- High-quality friction-spring coupling
- For mounting on the rear demountable console
- Easy installation
- Extremely resistant dome muzzle



| Code     | Length L [mm] | Weight [kg] | D-Value [kN] | Dc-Value [kN] | V-Value [kN] | Admiss. Supporting load [kg] | ECE type approval |
|----------|---------------|-------------|--------------|---------------|--------------|------------------------------|-------------------|
| PZBK02-B | 875           | 61,5        |              |               |              |                              |                   |
| PZBK02-C | 1000          | 65,5        | 120          | 92            | 35           | 1000                         | E11 55R-018313    |
| PZBK02-D | 1150          | 70,5        |              |               |              |                              |                   |
| PZBK02-E | 1300          | 76          |              |               |              |                              |                   |



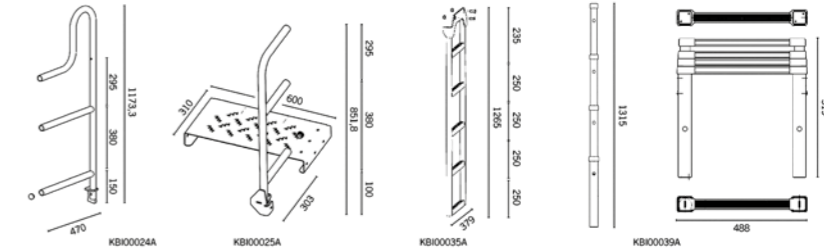
# LATERAL PROTECTION DEVICES

- All required items can be order comfortably with only one article number
- Available in fixed or folding version
- ECE-certified
- The profile shape can be combined perfectly with the PALFINGER reflector tape (p. 61)

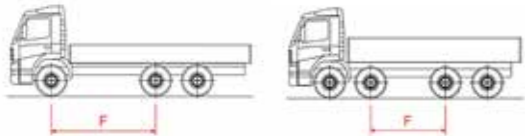


# ACCESSORIES FOR HIGH STAND

- Guard rails for modification to rear mounting
- To close a possible gap between the crane and the driver's cabin, the standing platform can be extended
- The standing platform and the railing can be individually adapted onsite
- A loose ladder is available for the new high stand, the assembling to the high stand will be done by the body builder using the actual construction situation
- Telescopic rails for easy access and optimum working protection



## KIT IS CERTIFIED ACCORDING TO LAST CURRENT DIRECTIVES ECE-R73

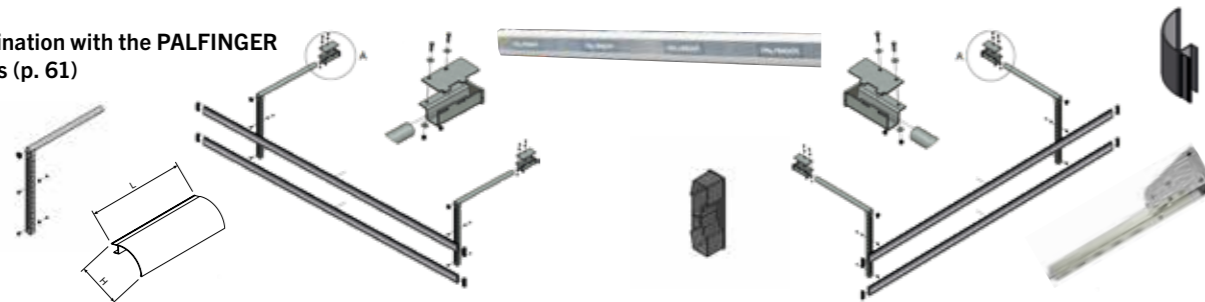


## FIXED SIDE UNDERRIDE PROTECTION KIT

| Code     | Length [m] | Quantity brackets | Quantity profiles | Quantity profile brackets | Wheelbase F [mm] |
|----------|------------|-------------------|-------------------|---------------------------|------------------|
| M9000400 | 3,5        | 4                 | 4                 | 4                         | 3901 - 5000      |
| M9000401 | 5          | 4                 | 2                 | 4                         | < 3900           |
| M9000402 | 5          | 6                 | 4                 | 6                         | > 5000           |

The kit includes the parts for BOTH sides of the vehicle.

Ideal for combination with the PALFINGER reflective tapes (p. 61)



| Component  | Code      |
|--|-----------|
| Profile bracket fixed including fixing material  | M9000424  |
| Profile bracket foldable without fixing material | EFA 133   |
| Aluminium profile 3,5 m                          | M62010651 |
| Aluminium profile 5 m                            | M62010652 |
| Fixation bracket right                           | M9000500  |
| Fixation bracket left                            | M9000423  |
| Rear end (straight)                              | M62010616 |
| Rear end - Angle profile H = 100 mm, L = 100 mm  | M62010615 |
| Rear end - Angle profile H = 100 mm, L = 500 mm  | M62010714 |

## TECHNICAL DATA

| Code      | Component           | Weight [kg] |
|-----------|---------------------|-------------|
| KB100024A | Railing             | 8           |
| KB100025A | Additional platform | 16          |
| KB100035A | Access ladder       | 10          |
| KB100039A | Telescopic railing  | 5           |

# MISCELLANEOUS

## TAIL LIGHT BRACKET

- Quick and easy fixing on the vehicle frame
- Mounting possibility for tail lights, anti-spray mats and rear markings



| Component                 | Code      |
|---------------------------|-----------|
| Tail light protection     | HA13836   |
| Tail light bracket        | M9000481  |
| Reflective tape EC White  | M62010725 |
| Reflective tape EC Red    | M62010724 |
| Reflective tape EC Yellow | M62010722 |

## TAIL LIGHT PROTECTION

- Optimum protection of the tail light
- Made of 3mm steel flap
- Optimal corrosion protection KTL-coating
- For standard rear lights MAN, Mercedes Benz, Scania and Volvo
- 2 pieces included in kit



## CE REFLECTIVE TAPE



# LIGHTING COMPONENTS

- More visible and safer at any time of the day or night
- Increased attention due to visual stimuli
- More efficient work in the dark
- Efficient LED lighting is more environmentally friendly and saves costs
- Long service life of the LED lighting
- Proven components from the PALFINGER factory mounting (MCC)
- Durable and appealing design

## WORK LIGHTS



### TECHNICAL DATA

|                           | LED Work Light Scorpius N4402 | LED Work Light Scorpius Go 420 | LED Work Light Flush Mount KL1302 | LED Work Light KL1001        | LED Reverse Light Scorpius Go 410 |
|---------------------------|-------------------------------|--------------------------------|-----------------------------------|------------------------------|-----------------------------------|
| Order Code                | EEA11854                      | EEA14958                       | EEA12907                          | EEA13621                     | EEA15761                          |
| Operational Lumens Output | 4200 lm                       | 1800 lm                        | 1500 lm                           | 1000 lm                      | 1000 lm                           |
| Colour Temperature        | 5700 K                        | 5000 K                         | 5700 K                            | 5700 K                       | 5000 K                            |
| Nominal Voltage           | 12 - 24 V                     | 12 - 24 V                      | 12 - 24 V                         | 12 - 24 V                    | 12 - 24 V                         |
| Input Voltage             | 9 - 32 V                      | 9 - 32 V                       | 9 - 32 V                          | 9 - 32 V                     | 9 - 32 V                          |
| Power Consumption         | 50 W                          | 28 W                           | 24 W                              | 24 W                         | 16 W                              |
| Nominal Current at        | 24 V = 2,1 A<br>12 V = 4,2A   | 24 V = 1,0 A<br>12 V = 1,8A    | 24 V = 1,0 A<br>12 V = 2,0 A      | 24 V = 1,0 A<br>12 V = 2,0 A | 24 V = 0,6 A<br>12 V = 1,05 A     |
| Dimensions                | 108 x 137 x 87 mm             | 99x118x66                      | 105x105x88                        | 95x131x69                    | 99x42x117                         |
| Weight                    | 1,1 kg                        | 0,6 kg                         | 0,45 kg                           | 0,7 kg                       | 0,5 kg                            |
| Operating Temperatures    | -40...+85 °C                  | -40...+85 °C                   | -40...+85 °C                      | -40...+85 °C                 | -40...+85                         |
| Connector                 | Built-in Deutsch DT-2 (2-pin) | Built-in Deutsch DT-2 (2-pin)  | Pigtail Deutsch 2-pin             | Pigtail Deutsch 2-pin        | Built-in Deutsch DT-2 (2-pin)     |
| Protection class          | IP68, IP6K9K                  | IP68, IP6K9K                   | IP68, IP6K9K                      | IP68, IP6K9K                 | IP68, IP6K9K                      |
| EMC approved              | ✓                             | ✓                              | ✓                                 | ✓                            | ✓                                 |
| Application               |                               |                                |                                   |                              |                                   |

## OUTLINE MARKER



### TECHNICAL DATA

|                        | End-Outline Marker Superpoint 3 Short | End-Outline Marker Superpoint 3 Straight | LED Outline marker |
|------------------------|---------------------------------------|--|--------------------|
| Order Code             | EEA13634                              | EEA13917                                 | EEA16142           |
| Nominal Voltage        | 24 V                                  | 24 V                                     | 12 - 24 V          |
| Dimensions             | 48,8 44,5 x 64 mm                     | 48,8 x 46 x 100 mm                       | 121 x 42 x 38 mm   |
| Operating Temperatures | -40°C to +55°C                        | -40°C to +55°C                           | -40°C to + 60°C    |
| Connector              | moulded for P&R                       | moulded for P&R                          | open               |
| Protection class       | IP69K                                 | IP69K                                    | IP66/68            |
| EMC approved           | ✓                                     | ✓  | ✓                  |

## POSITION- AND FLASH LIGHTS



### TECHNICAL DATA

|                        | License plate illuminating | Multifunctional LED position lamp | LED Position lamp white | LED Beacon yellow | LED Flash Light yellow |
|------------------------|----------------------------|-----------------------------------|-------------------------|-------------------|------------------------|
| Order Code             | EEA12427                   | EEA13318                          | EEA14197                | EEA14657          | EEA16080               |
| Nominal Voltage        | 24 V                       | 12 - 24 V                         | 12 - 24 V               | 12 - 24 V         | 12 - 24 V              |
| Dimensions             | 83 x 40 x 30               | 238 x 21 x 10 mm                  | 81 x 24 x 21 mm         | Ø 134 x 58 mm     | 96 x 28 x 20 mm        |
| Operating Temperatures | -40°C to +55°C             | -25... 70 °C                      | -40°C to +80°C          | -30... 55 °C      | -30... 60 °C           |
| Connector              | moulded for P&R            | Pigtail Deutsch 2-pin             | open                    | open              | open                   |
| Protection class       | IP54                       | IP 66/68                          | IP69K                   | IP65              | IP65                   |
| EMC approved           | ✓                          | ✓                                 | ✓                       | ✓                 | ✓                      |

## NOTES

---

---

---

---

---

---

---

---

---

---

---

---

---

---

---

---

---

---

---

---

---

---

---

---

KP-MOUNTINGASM5+EN

Units shown in the leaflet are partially optional equipped and do not always correspond to the standard version. Country-specific regulations must be observed. Dimensions may vary. Subject to technical changes, errors and translation mistakes.